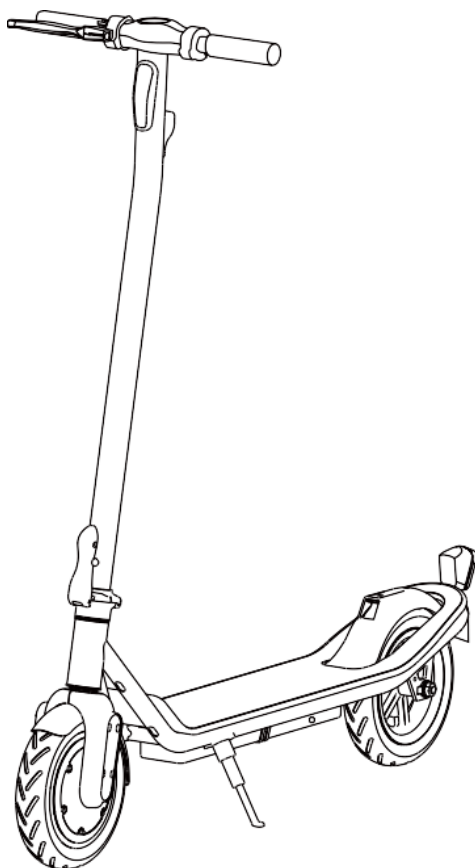


# User manual

## SCO-85351 THOR



[facebook.com/denverelectronics](https://www.facebook.com/denverelectronics)

Before operating this vehicle, read all the instructions for safe assembly and operations. User's manual can guide you through the functions and usage of Electric scooter. Before using this Electric scooter, familiarize yourself with how to operate, so that you can keep the Electric scooter in the best condition possible.

This appliance can be used by children aged from 14 years and above and persons with reduced physical, sensory or mental capabilities or lack of experience and knowledge if they have been given supervision or instruction concerning use of the appliance in a safe way and understand the hazards involved.

Children shall not play with the appliance.

Cleaning and user maintenance shall not be made by children without supervision.

Version 1.0

---

# Table of Contents

1	About the product .....	3
2	Product and Accessories.....	5
3	Unfolding and folding the scooter .....	6
4	Assembling the device .....	8
5	Charging the scooter.....	8
6	Intended Use.....	9
7	Safety Instruction.....	9
8	Maintenance.....	10
9	Operational control .....	13
10	Electric scooter riding.....	14
11	List of parameters .....	16
12	Electric scooter safe parking .....	17
13	Safe transportation .....	17
14	Warnings .....	17

---

# 1 About the product

## Important!

This electric scooter must be charged and stored in a safe way.

For safety reason and protect battery life, never charge the electric scooter in temperatures below 5°C or above 45°C. Equally, always disconnect the electric scooter with the power cable once fully charged. Always use the supplied power adapter to charge the electric scooter.

Make sure that all screws are properly tightened to avoid unsafe situations.

In case you ride in rain or wet conditions then make sure to dry the wooden pedal board with a cloth top and bottom when done riding.



### WARNING

- Please make sure to check that the steering system is correctly adjusted and that all connection components are firmly secured and not broken before riding, refer to handlebar assembly and safety instruction.
- Please read operation guide and warnings of correct techniques for use and braking
- Always wear shoes.
- When self-locking nuts and other self- locking fixings may lose their effectiveness.
- All parts and materials of electric scooter cannot be changed, modifications are not allowed.

### 1.1 Technical modifications

Avoid removal of components or any kind of technical modification to the scooter in order to preserve the vehicle in approved condition. Specifically avoid modification of the following technical systems of the scooter:

- Powertrain system
- Battery system
- Braking system
- Steering system
- Lightning system
- Electrical system
- Wheel equipment
- Tyre equipment
- Anti-slip equipment
- Frame structure

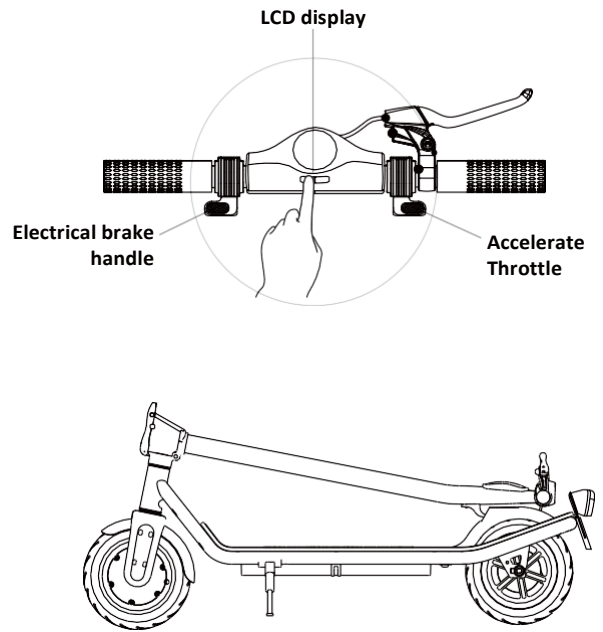
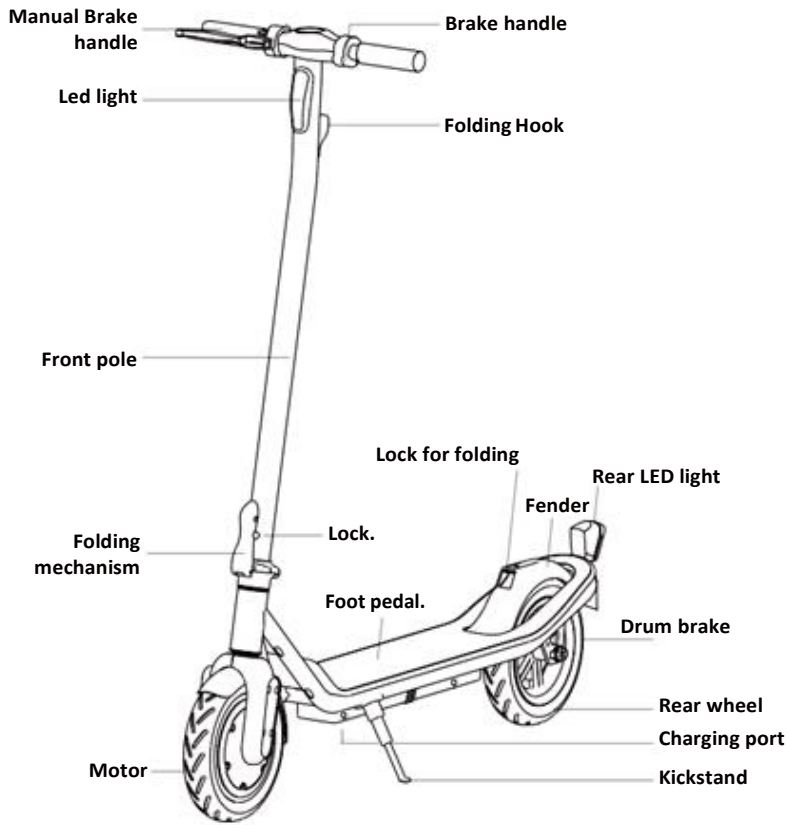
---

Always make sure that required maintenance is conducted professionally by certified agents.

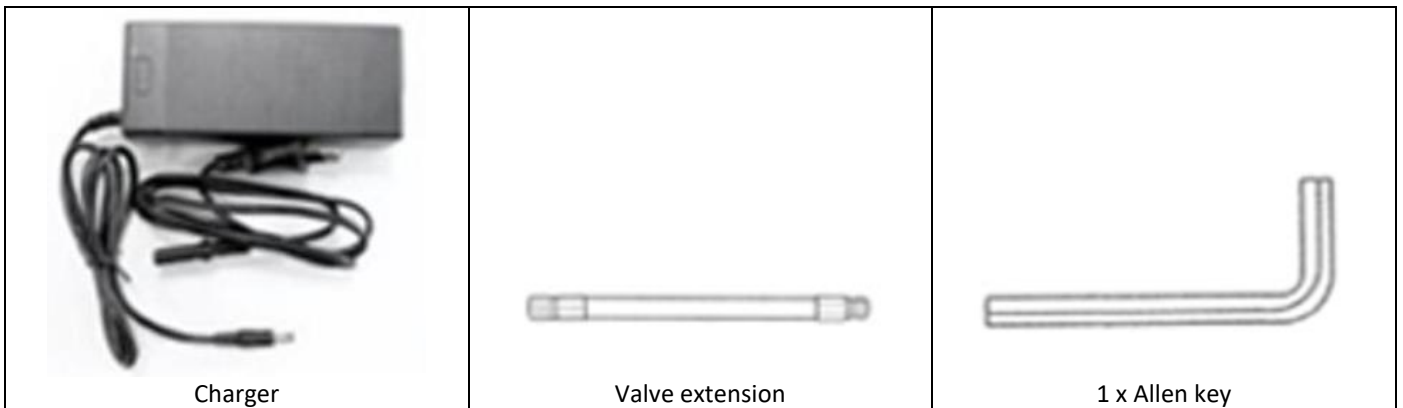
## **1.2 Traffic rules**

- Do not ride the scooter if you are below 14 years of age.
- Do not ride the scooter with more than 1 person at a time.
- Do not ride the scooter faster than 20 km/h.
- Do not ride the scooter without valid liability insurance.
- Do not ride the scooter under influence of drugs, alcohol, medicine or the likes.
- Do not ride the scooter when your physical or mental condition is inadequate.
- Always adhere to the applicable traffic rules.
- Always keep yourself informed about changes in traffic rules.
- Always be considerate of weaker road users.
- Always adapt driving speed to traffic conditions. (If necessary, adjust the speed to pedestrian traffic)
- Always adapt driving speed to road conditions.
- Never obstruct or endanger pedestrians.
- Do not ride the scooter on routes reserved exclusively for pedestrians or restricted for bicycles.
- Do not ride the scooter on routes reserved exclusively for cars/vans/trucks/motorcycles/etc. or restricted for bicycles.

## 2 Product and Accessories



### Accessories.

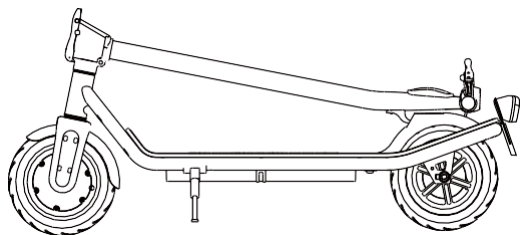


---

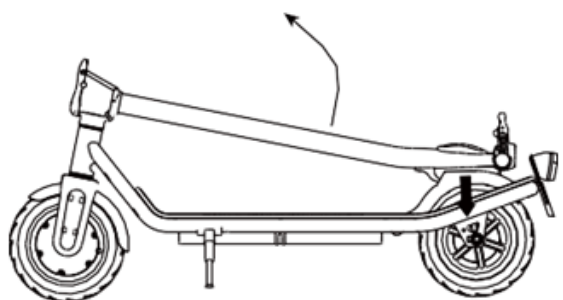
## 3 Unfolding and folding the scooter

### Unfolding the scooter

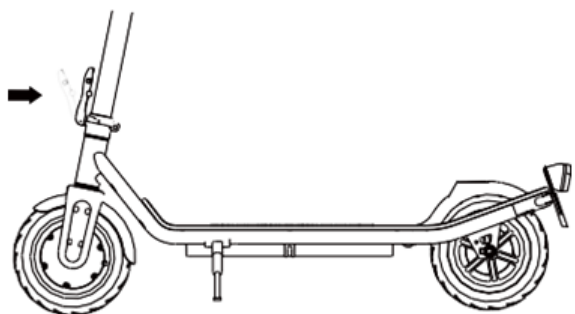
- 1) Place the electric scooter on its wheels like below.



- 2) Right hand presses down the rear fender and left hand pulls up the long pole until folding hook gets out of the hook.



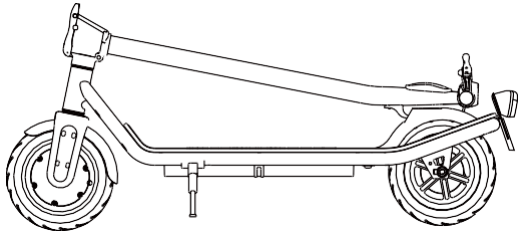
- 3) Raise the front pole and the pull up the folding wrench towards the upright pole and force it to lock.



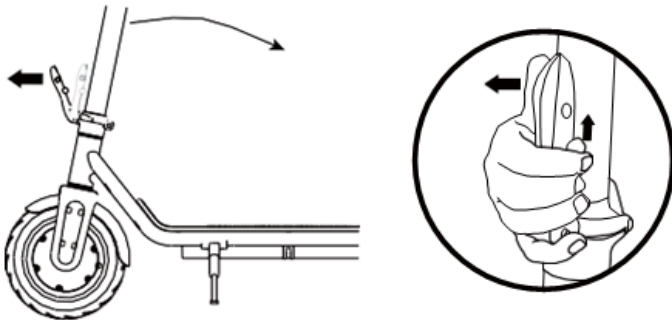
---

## Folding the scooter

- 1) Place the electric scooter on its wheels like below.



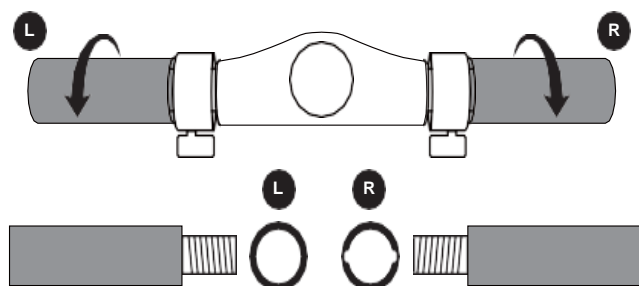
- 2) Right index finger lift the buckle lock up. Push the folding wrench outward with the thumb to put down the upright pole.



---

## 4 Assembling the device

Before using the scooter it is necessary to install the handles.

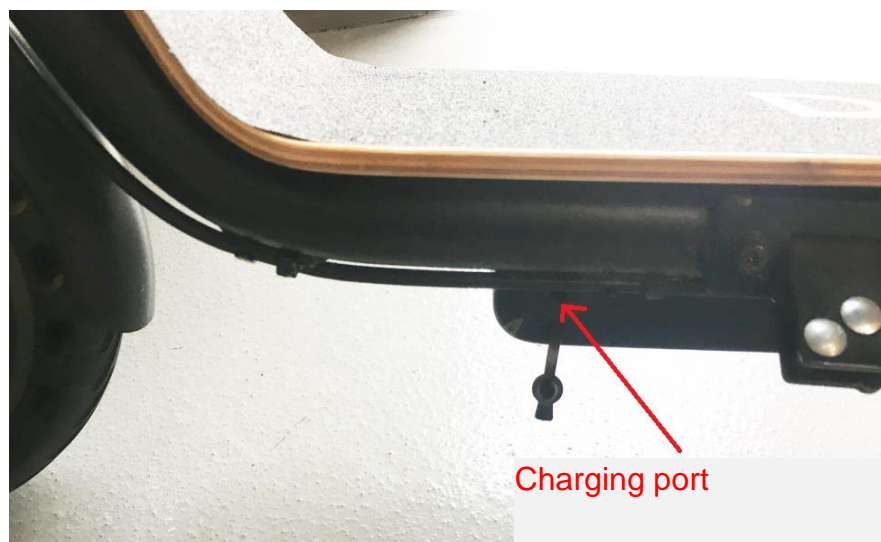


Please make sure to differentiate the left and handles carefully before installing the handles.

Check the markings on the handles.

## 5 Charging the scooter

First remove the protective cap. Then connect the supplied HLT-180-4202000 power adapter to the charging port of the electric scooter and the other end to the power outlet. After charging is finished then please insert protective cap again. See chapter 14.6 for further info on the charging process.



Range per charge

The range depends on several factors:

- Topography: On level paths you have a greater range than on uneven ground, hills, slopes etc.
- Weight: The range depends on the rider's weight.



- 
- Temperature: Extreme temperatures reduce the range.
  - Maintenance: If the Electric scooter is charged properly and the battery is kept in good condition, the range will be extended.
  - Speed and riding style: The range is greater at constant speed than at frequent stops and starts, acceleration and braking.

## 6 Intended Use

The Electric scooter is only intended to carry one person and only by a person aged at least 14 with a maximum weight of 120 kg. Riding two persons on the scooter can damage the scooter motor and this is not covered by the warranty.

The other parameters for the permissible operation of the Electric scooter are defined in the section (“10. List of parameters”). Importantly, the Electric scooter may only be operated in good visibility conditions and only if the physical conditions for stability on the Electric scooter are met (for example, not on one leg/not under the influence of drugs or alcohol). When operating the electric scooter, the operator must wear personal protective equipment specified in the section (“14. Warnings” > 14.2 Preparation”).

## 7 Safety Instruction

We recommend always wearing helmet and protective gear like elbow, knee and wrist protectors to ensure your personal safety.



Also make sure you have read the user manual carefully, to ensure you know how to ride it in a safe and fun way.

It is your responsibility to be aware of and comply with all regulations in your county. If there are no regulations for this Electric scooter in your country, please take care of your own safety and the safety of others.

Also pay attention to other people. Always ride safely and only at a speed that allows you to brake safely at any time. Always ride as safely as possible.

If lending the electric scooter to friends and family, please make sure they use proper protective gear and know how to ride it.

Before riding the electric scooter, please check that all parts are working as supposed to. If any loose parts, abnormal noise, reduced battery life etc. are detected, please contact your retailer for product service and warranty. Do not repair the electric scooter yourself.

Inspect the rear tire, rear brake, and brake pad according to Section 8 of the maintenance specification

---

in this operating instructions. The electric scooter may become unstable if the rear brake is deformed or loose. This is because the distance between the brake pad and the rear wheel becomes too small, possibly leading to a blocked rear wheel.

Avoid applying too much force or stepping on the rear fender permanently. This may cause the fender to loosen or damage the spring holding the fender.

As a result, the brake pad constantly touches the wheel and the motor temperature increases due to the additional resistance. The rear tire can also get loose if the brake is in constant braking position.

Avoid constant braking. As a result, the tires will not only wear off, but also become hot. This will soften the rubber and it will no longer have the same grip on the road as usual. Do not touch the tire after braking.

If you hear unusual noises or notice friction when switching on the electric scooter, a bearing may be damaged. A worn bearing may even be indicated by strong vibration of the handlebar. In this case, please check maintenance section or contact your retailer since the bearing needs to be replaced and/or the handlebar checked and adjusted.

Ride the electric scooter only on a dry surface since otherwise the riding safety and braking performance may be impaired and the motor or bearings may be damaged.

Stop riding when the battery show "Low Battery" in the display. The electric scooter then moves only slowly and does not have the same traction as normal and the electric brake does not work. In this case, please use the rear brake to stop the electric scooter. Get off the Electric scooter as soon as the speed allows to do that safely.

A normally working Electric scooter operates safely and quietly. If you hear noises or notice bumpy operation, please check wheels, bearings, and brakes. Contact your customer service for repair and maintenance, if necessary.

## 8 Maintenance

To ensure you get the best possible performance and experience from your electric scooter, it is important to do regular maintenance for important parts of the product.

- Battery maintenance
- Bearings, Screws, Brakes and Wheels
- Storage and Cleaning

**Your electric scooter will require some maintenance so please read and familiarize yourself with this guide.**

### ● Battery maintenance

All batteries have a life cycle, and performance will decrease over time, however here are some advice to maximize the life span of the battery.

Make sure that the battery is charged at regular intervals, even if you do not use the electric scooter for a long time. This is to prevent damage to the battery, caused by low voltage over an extended period.

Avoid draining the battery completely. It is best to charge while there is still power on it. This will extend

---

battery life. If the battery is constantly depleted, it will damage the battery (damaged battery caused by wrong handling are not covered by the warranty).

If riding the electric scooter in cold or very hot areas, the battery time can be lower than when riding in temperatures from 15-25° Celsius. This is not a failure on the batteries, but normal behavior.

Please notice: Even a fully charged battery will run out of power if the electric scooter is not used for a period. Expect a fully charged battery to keep power between 90 and 120 days in off mode, before it is fully discharged. If only partially charged, this period is lower.

Please make sure the battery does not get above 50° Celsius, or below minus 10° Celsius for a longer period. (e.g. don't leave the electric scooter in a hot car in summer, do not put battery into fire etc.) Low temperature (e.g. subzero temperature) can damage the battery cells.

Keep the Electric scooter away from open flame or other sources of heat to prevent the battery from getting too hot. Also make sure not to leave the electric scooter at freezing temperatures. Both heat and excessive cold can cause the battery to discharge.

Only use original charger or an official replacement, as different batteries may require specific charger, and if using other chargers, this could cause damage to the product.

Do not overcharge and discharge the battery.

Please make sure to charge the battery before it is completely out of power, to avoid damaging the battery cells. (damaged battery caused by wrong handling are not covered by the warranty)

**It is forbidden to disassemble battery package. This is only to be handled by official service repair centers and professionals.**

- **Bearings, Screws, brakes and Wheels**

Your electric scooter is made up of moving parts, which in time, will be susceptible to wear and tear.

**Bearings and screws:**

The electric scooter has sealed and dustproof bearings so that no lubrication is required. Check the bearings for wear at regular intervals to avoid unsafe riding. Do not jump on and off and do not apply excessive force otherwise to avoid damage to the bearings. This is not a sports electric scooter.

Make sure that all screws are properly tightened to avoid unsafe situations.

Please check the screws regularly and tighten if they seem loose.

**Brakes:**

Check the brake for wear at regular intervals to avoid unsafe riding. Do not apply excessive force to avoid damage to the brake.

Electric scooter with disc brake will require adjustment over time and in the end will need to be replaced, when worn down. Avoid using electric scooter when brakes are worn down, as this is unsafe and will also damage the brake.

**Wheels:**

Check the wheels for wear at regular intervals to avoid unsafe riding.

Electric scooters come with different wheels but can in general be separated into tires with inflatable inner tubes and solid wheels.

For inflatable tires, please make sure to keep the right pressure, as hard tires will last longer.

---

If the wheel seems wobbly even after screws are tightened, the bearings might be worn down and need replacement

 **WARNING**

- Please make sure to check that the steering system is correctly adjusted and that all connection components are firmly secured and not broken before riding, refer to handle assembly and safety instruction.
- Please read operation guide and warnings of correct techniques for use and braking
- Always wear shoes.
- We highly recommend to always wear helmet/pads for your own protection.
- Self-locking nuts and other self- locking fixings may lose their effectiveness.
- All parts and materials of electric scooter cannot be changed, modifications of the scooter are not allowed. If done, then warranty is void.

### ● Storage and cleaning

If your Electric scooter gets dirty, please clean it with a damp cloth only, you may not use pressured water-gun or running water, as this could damage vital parts. It is also possible to use a little toothpaste if the dirt is stuck. Remember to clean with damp cloth after this.

Please make sure to keep the electric scooter turned off while cleaning it, and make sure to cover the charging input to avoid problems with the electronics.

Make sure to dry the scooter with a towel, should it become wet.

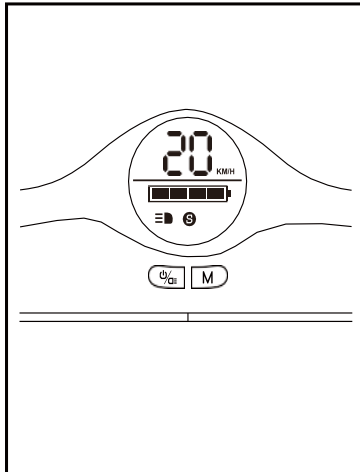
**Please notice:** Do not use alcohol, gas, kerosene or other corrosive and volatile chemical solvents. This can damage both the appearance and the internal structure of the electric scooter.

Please store your Electric scooter in a dry and cool environment when not in use. Avoid leaving it outdoors, as it is not made for storing in wet areas. Nor is it good to expose to high temperatures caused by direct sun for a long time.

# 9 Operational control

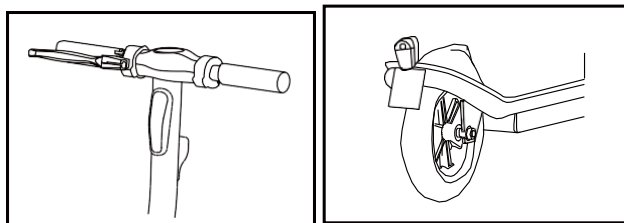
Please read this chapter for understanding the operational control.

## Control and display



	Power key	Press 2sec to turn it ON/OFF.
	Mode key	When the scooter is on, switch the speed modes at low speed, middle speed and high speed by pressing this button
	Battery power	75%-100% power              50%-75% power              25%-50% power              0%-25% power
	Speed level	When the icon is white, it is at low speed mode, max speed is 10km/h. When the icon is yellow, it is middle speed mode, max speed is 15km/h. When the icon is red, it is high speed mode, max speed is 20km/h.
	Light status	When this Icon is ON the light is ON.

### Lights on the electric scooter




Press the key to turn ON the power, the headlights and taillights always be ON.

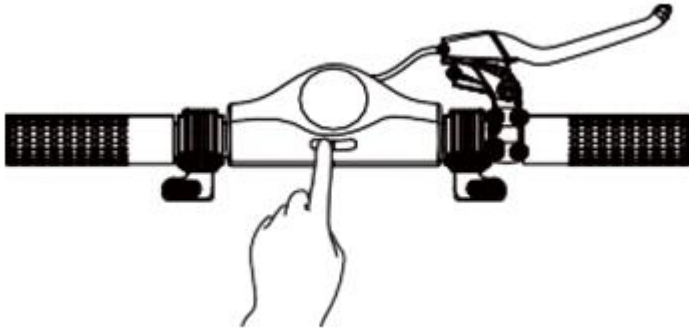
Press the key to turn OFF the power, the headlights and taillights go out.

---

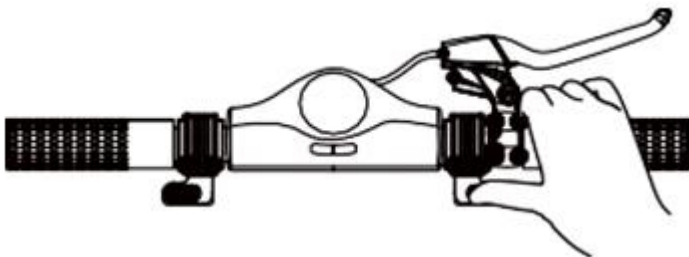
## 10 Electric scooter riding

There is risk of falling down during learning, so make sure to wear helmet and protection kits all the time.

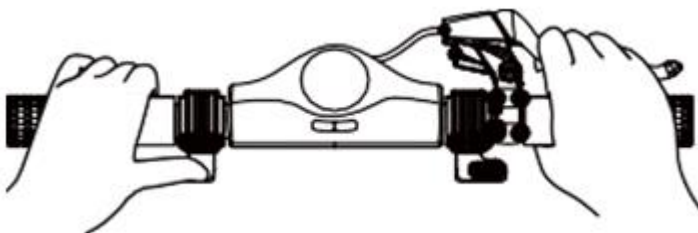
1. Turn on the scooter by pressing the power key  for 2 seconds and check the battery power.




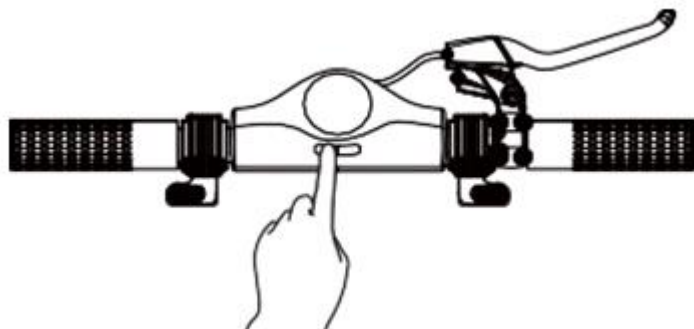
2. You have to manually moving the scooter with one foot on foot pedal and other foot kicking for speed. When you have achieved approximately 6km/h of speed then you push accelerator to start motor and for gaining more speed.



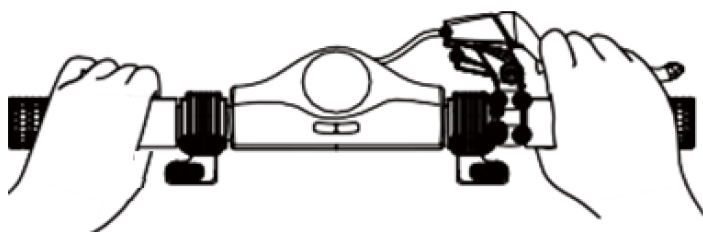
3. To stop riding You release the accelerator throttle and use the electrical brake to gradually decrease the speed and then step off the scooter one foot at a time. Please be cautious. Do not press the electrical button hard unless in emergency. Hard press of the electrical brake can cause abrupt stopping. Take time to familiarize yourself with the brake.



- 
4. Turn off the scooter when finished using the Electrical scooter by pressing the power key  for 2 seconds.



5. For safety, the rear drum brake must be used when driving at high speed. Use the right hand brake on the steer.



## 10.1 Front and Back LED Light

This Electric scooter is equipped with the front and back LED light. Lights automatically turns ON when powering ON the Scooter. Lights automatically turns OFF when you power off the Electrical scooter.

# 11 List of parameters

Parameter		Range
Size	Folding size(mm)	1175*480*480
	Unfolded Size(mm)	1075*480*1220
Quality	Max Load(kg)	120
	Weight (kg)	12.3
Ride Condition	Age(Year)	14+
Electric scooter	Max. speed (horizontal riding) (km/h)	20
	Distance up to (km)	25
	Terrain	Level and dry surface
Battery Type: Li-ion battery	Nominal voltage (V)	36
	Input voltage (V)	42
	Battery capacity (mAH)	7500
Motor	Motor Power (W)	350
	Emission sound pressure level (DB)	Emissions < 60 db (A).
Power adapter	Rated input voltage (V)	100-240
	Rated output voltage (v)	42
	Rated current (A)	2
	Charging Time(h)	4.5

Electric scooter

Model: SCO-85351 THOR

Input: 100V-240V~, 50/60Hz, 2A(Max)

Output: 42V  2A  

Max Speed: 20km/h

Weight: 12.3kg

Year Of manufacture: 2019

Max Load: 120kg

Battery: 36V/7.5Ah

Power Consumption: ≤ 350W

Always charge the electric scooter with the supplied power adapter: HLT-180-4202000

Denver Electronics International A/S

Omega 5A Soefte DK-8382 Hinnerup

Denmark

[www.denver-electronics.com](http://www.denver-electronics.com)



---

## 12 Electric scooter safe parking

Once you have stopped the Electric scooter, get off it and press the side kickstand down with your right foot to support the Electric scooter. The side stand is located on the left-hand side of the Electric scooter below the foot pedal.

Before you ride again, push the side stand back up so that it is parallel to the foot pedal.

## 13 Safe transportation

Fold the Electric scooter, don't drop the Electric scooter during the transportation, don't to put the Electric scooter near fire or explosive materials.

## 14 Warnings

### 14.1 Risks of riding



#### WARNING

First, learn safe riding before you ride the Electric scooter fast.

- Failure to observe, loss of control, falls, and violations of the rules can cause injuries.
- Speed and range depend on the rider's weight, terrain, temperature, and riding style.
- Wear a helmet and protective clothing when riding the Electric scooter.
- Read the operating instructions carefully before riding the Electric scooter.
- Make sure that this product complies with local regulations/laws before using the scooter.

### 14.2 Preparation

- First, charge the battery completely.
- Wear a helmet, knee and elbow pads.
- Do not wear loose clothing or open laces that can get caught in the Electric scooter wheels.
- Familiarize yourself with the brake/throttle before first ride.

### 14.3 Weight restriction

Reason for the weight restriction:

- Ensuring the rider's safety;
- Avoiding damage due to overload.

Maximum capacity: 120kg.

---

## 14.4 Safe riding

This chapter focuses on safety, experience, and warnings. Before operating the vehicle, please read all installation and operating instructions carefully.



### WARNING

Familiarize yourself with the vehicle before you use it so that you can keep the Electric scooter in sound condition.

- Observe all safety instructions when riding the Electric scooter.
- Children, elderly people, and pregnant women are not allowed to ride the vehicle.
- People with limited sense of balance are not allowed to ride the Electric scooter.
- Avoid riding the Electric scooter under the influence of alcohol or other substances.
- Do not carry any objects while riding.
- Make sure you have a clear vision in front of you to ride the Electric scooter safely.
- While riding, your feet must always be on the foot board.
- The Electric scooter can accommodate only one person.
- Do not start or stop abruptly.
- Stop riding the Electric scooter if you hit a solid object (such as a wall or other structure) with it.
- Do not ride in dimly lit or dark places.
- Ride the Electric scooter at your own risk, we assume no liability for accidents or damage.
- Ride at a safe speed that allows you to stop at any time.
- Keep the Electric scooter at a sufficient distance from other people and avoid collisions.
- Steer through balance shifting, fast movement can result in falls.
- Do not ride in rain or under other wet conditions. Ride only in dry weather.
- Avoid riding over obstacles, if possible, and avoid snow, ice, and slippery surfaces.
- Avoid riding over textiles, small branches, and stones, if possible.
- Avoid riding in narrow places or in places with obstacles, if possible.
- Jumping on and off the Electric scooter will cause damage that is not covered by the warranty. There is a risk of injury. Injuries and damage due to "trick riding" are not covered by the warranty.

## 14.5 Charging

- Make sure that the Electric scooter, charger, and DC power input of the device are always dry.
- Note: To charge this Electric scooter, use SOLELY the supplied HLT-180-420200 charger with the following output: 42 V -2A.
- Using a different charger may cause damage to the device and other potential risks.
- Use the mains adapter to plug the DC input of the device into a conventional socket.

- 
- There will be no light on the charger before charging, when connected to e-scooter the adapter will light red, and charging has started.
  - When fully charged. It will show Green light and after some time the will turn off.
  - Now you can stop the charging cycle. Overcharge shortens the battery life.
  - The charging process takes up to 4.5 hours. Do not charge the battery for more than 4.5 hours. After 4.5 hours, disconnect the charger from the device and the power supply. Overcharge reduces the battery service life.
  - The product must not be charged over extended periods.
  - Always keep an eye on the device throughout the charging cycle.
  - Charge the device only at temperatures between 0 °C and +45 °C.
  - When charging at lower or higher temperatures, there is a risk that the battery performance will be reduced. Therefore, there is a potential risk of injuries and material damage.
  - Store and charge the device in an open, dry area away from combustible materials.
  - Do not charge the device in direct sunlight or in the vicinity of open flames.
  - Do not charge the device immediately after use. Allow the device to cool down for an hour before charging it.
  - The device is generally partially charged as shipped from the factory. Keep the device partially charged until it is used.
  - Allow the Electric scooter to cool down for at least 1 hour before it can be put in the package.
  - Do not leave the device exposed to sunlight in a car.

### **CAUTION**

The Electric scooter must not be used during the charging cycle!

- The LED indicator on the battery charger lights red during the charging process.
- The LED indicator on the charger will light green when the charging process is complete.
- After charging, disconnect the charger from the mains and the Electric scooter.

### **CAUTION**

Connect the DC cable supplied with the Electric scooter only to the DC input!

- Do not insert foreign objects into the DC input.

### **CAUTION**

- Do not remove the protective cap from the DC input!
- Remove the cap only when charging the Electric scooter!
- After charging, disconnect the DC plug and close the DC input again with the cap!

### **WARNING**

Make sure that neither water nor other liquids penetrate into the inner components of the Electric scooter; otherwise, the electronics/batteries of the device could be permanently damaged. There is a risk of injury.

---

**CAUTION**

- Do not open the electric scooter casing, otherwise the warranty is invalidated.

**WARNING**

- Make sure to wear helmet and protective clothing before using the Electric scooter.
- Make sure to read manual carefully before using the Electric scooter.
- The Electric scooter must only be used on dry and level ground
- The Electric scooter may not be used by anyone under age of 14 years

Please notice - All products are subject to change without any notice. We take reservations for errors and omissions in the manual.

**WARNING**

Lithium battery inside.

Please notice - All products are subject to change without any notice. We take reservations for errors and omissions in the manual.

ALL RIGHTS RESERVED, COPYRIGHT DENVER ELECTRONICS INTERNATIONAL A/S

**DENVER**<sup>®</sup>  
denver-electronics.com

CE



Electric and electronic equipment and included batteries contains materials, components and substances that can be hazardous to your health and the environment, if the waste material (discarded electric and electronic equipment and batteries) is not handled correctly.

Electric and electronic equipment and batteries is marked with the crossed out trash can symbol, seen below. This symbol signifies that electric and electronic equipment and batteries should not be disposed of with other household waste, but should be disposed of separately.

As the end user it is important that you submit your used batteries to the appropriate and designated facility. In this manner you make sure that the batteries are recycled in accordance with legislature and will not harm the environment.

---

All cities have established collection points, where electric and electronic equipment and batteries can either be submitted free of charge at recycling stations and other collection sites, or be collected from the households. Additional information is available at the technical department of your city.

DENVER ELECTRONICS INTERNATIONAL A/S

Omega 5A, Soeften

DK-8382 Hinnerup Denmark

[facebook.com/denverelectronics](https://www.facebook.com/denverelectronics)

---

## Regarding Battery charging SCO-85351 THOR

### **Important – Please read!**

Dear customer. We hope you get a lot of joy out of your new Electric scooter.

The battery built in the Electric scooter is not fully charged from production line and when left unused the battery can slowly discharge by itself.

This can lead to slow charge if the battery is fully discharged, but this is done to avoid damage to the battery.

**If you experience that you cannot turn on your E-scooter, and it doesn't seem to charge (the charger lights up green instantly), then please do the following.**

1. Leave the charger in for 6-7 hours. This will make sure the battery will be fully charged again (it can take 3-4 hours before it starts normal charging).
2. If this does not solve your problem, please ride the Electric scooter manually without turning it on. Use your legs to give speed, for around 100 m, and then connect the charger. The engine in the front wheel will this way help to activate the charging function and it will charge normally. (fully charge takes 3 hours if using this way)

Please enter: [www.denver-electronics.com](http://www.denver-electronics.com) to obtain the electronic version of the manual.

---

## WARNINGS

**Please read the manual completely and the instructions below before using the product.**

Product names: SCO-85351 THOR

Product type: Electric scooter

Year of manufacturing: 2019



- Note: ONLY use the supplied charger labelled HLT-180-4202000 with the following output voltage to charge this Electric scooter: 42V - 2A.
- Using another charger may damage the product or create other potential risks.
- Never charge the product without supervision.
- The charging period of the product should not exceed 4.5 hours. Stop charging after 4.5 hours.
- The product should only be charged in temperatures between 0°C and 45°C.
- If charging at lower or higher temperatures, there is a risk that the performance of the battery will be reduced and a potential risk of damage to the product and personal injury.
- The product should only be used in temperatures between -10°C and +45°C.
- If used at lower or higher temperatures, there is a risk that the performance of the battery will be reduced and a potential risk of damage to the product and personal injury.
- Store the product at temperatures between 0°C and 35°C. (optimum storage temperature is 25°C)
- Charge and store the product in an open, dry area and away from flammable materials (i.e. materials that may burst into flames).
- Do not charge in sunlight or near open fire.
- Do not charge the product immediately after use. Let the product cool down for one hour before charging.
- If the product is left with other persons for example during a holiday period, it should be partially charged (20-50% charged). Not fully charged.
- When shipped from the factory, the product has been partially charged. Keep the product in a partially charged state, until it is going to be used.

DENVER ELECTRONICS INTERNATIONAL A/S

Omega 5A, Soefte, DK-8382 Hinnerup, Denmark

[www.denver-electronics.com](http://www.denver-electronics.com)



**EC Declaration of Conformity (Machinery Directive)**

The undersigned

**Company Name:** DENVER ELECTRONICS INTERNATIONAL A/S  
**Address:** Omega 5A, Soeften, DK-8382 Hinnerup, Denmark

certify that the design and manufacturing of this product

**Product Brand Name:** DENVER  
**Product Model No.:** SCO-85351 THOR  
**Product type:** Electric scooter

conforms to the following directives:

**Machinery directive 2006/42/EC**  
**MD Standards:** Annex I of 2006/42/EC, EN ISO 12100:2010, EN 60335-1:2012+A11:2014+A13:2017

and therefore complies with the essential requirements of the Machine Directive.

MD 2006/42/EC,  
LVD 2014/35/EU  
EMC 2014/30/EU

**Name and address of the person authorized to sign the declaration and collect the technical documentation**

**Serial no.:** 1000-11/19/00001 to 1000-11/19/00400, 1001-11/19/00401 to 1001-11/19/00800,  
1002-11/19/00801 to 1002-11/19/01200, 1003-11/19/01201 to 1003-11/19/01600,  
1004-11/19/01601 to 1004-11/19/02000, 1005-11/19/02001 to 1005-11/19/02400,  
1006-11/19/02401 to 1006-11/19/02800, 1007-11/19/02801 to 1007-11/19/03200,  
1008-11/19/03201 to 1008-11/19/03600, 1009-11/19/03601 to 1009-11/19/04000,  
1010-12/19/04001 to 1010-12/19/04400, 1011-12/19/04401 to 1011-12/19/04800,  
1012-12/19/04801 to 1012-12/19/05200, 1013-12/19/05201 to 1013-12/19/05600,  
1014-12/19/05601 to 1014-12/19/06000, 1015-12/19/06001 to 1015-12/19/06400,  
1016-12/19/06401 to 1016-12/19/06800, 1017-12/19/06801 to 1017-12/19/07200,  
1018-12/19/07201 to 1018-12/19/07600, 1019-12/19/07601 to 1019-12/19/08000,  
1020-12/19/08001 to 1020-12/19/08400, 1021-12/19/08401 to 1021-12/19/08800,  
1022-12/19/08801 to 1022-12/19/09200, 1023-12/19/09201 to 1023-12/19/09600,  
1024-12/19/09601 to 1024-12/19/10000

**Full Name:** Alfred Blank  
**Position:** CEO  
**Company:** DENVER ELECTRONICS INTERNATIONAL A/S  
**Address:** Omega 5A, Soeften, DK-8382 Hinnerup, Denmark  
**Date:** 22 Dec, 2019



