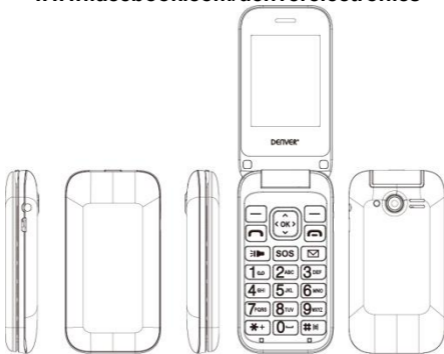


# DENVER<sup>®</sup>

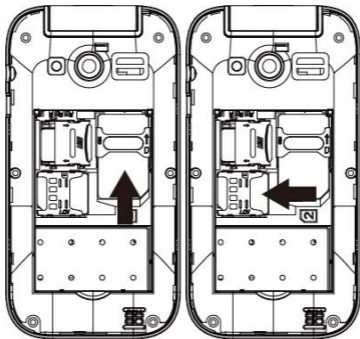
## Senior Phone BAS-24200M

[www.facebook.com/denverelectronics](http://www.facebook.com/denverelectronics)

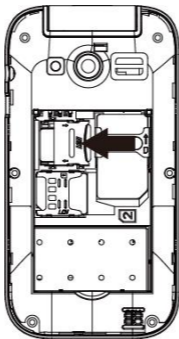


**User Guide  
English**

**Insert the SIM card:** The SIM card links to operator services and stores information such as your phone number, PIN code, contacts and SMS messages. To access the SIM slot, turn off the phone and lift up the cover starting from the slit on the bottom left corner. Remove the battery. Insert the SIM card into the slot with the gold contacts facing down.



**Insert a memory card:** In order to use media player functions, a micro-SD memory card is required (not included in the package). The card must be placed into the SIM1 slot on the left inside the rear of the phone. Insert the micro-SD card as below shown, with the golden contacts facing down. Open the metal shutter by pushing it towards "open", and lock it again after inserting the card by pushing it in the opposite direction ("lock").

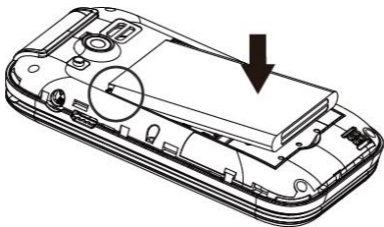
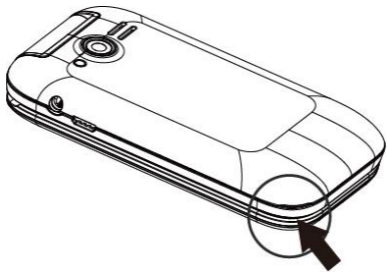


**Turn ON / Turn OFF:** To turn on and turn off the phone, press and hold the red end call key.

**Lock and unlock keypad:** Press the left soft key and \* key to lock/unlock the phone.

**Connect to a PC:** Use an USB cable to connect the product to a computer. Select **Mass Storage** on your phone. You can save songs to play with the music player in **"My Music"** folder, in the SD card.

**Insert the battery:** Your device is provided with a lithium-ion battery and is designed to be used exclusively with original batteries and chargers. The battery must be inserted into the rear of the phone. Insert the battery into the battery compartment with the contacts facing up corresponding to those of the phone. When done, put the rear cover back into position as shown in the following illustrations.

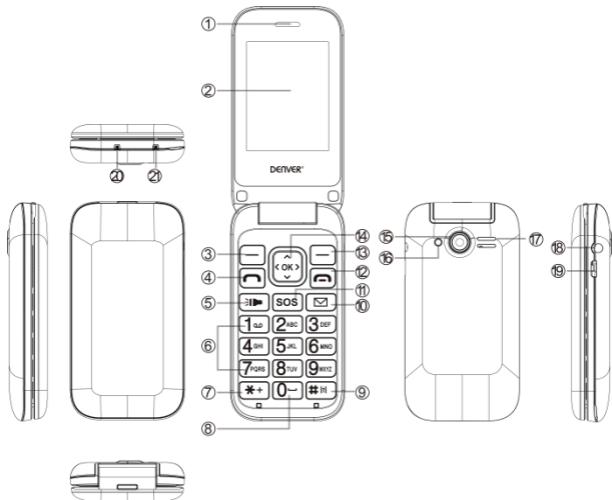


ENG-4

**Charge the battery:** Charge the battery before starting to use the device. Connect the charger to a mains wall socket, and then plug the jack into the charging base (wait for a moment until an audio feedback notifies the charging starts) or put it directly into the micro USB port. When charging has been completed, a second audio feedback will be heard.

***Attention:*** *To preserve the functionality of the product and the integrity of the warranty, we commend the use of the **original chargers**. Please charge the battery indoors or in a dry and favorable environment. It's normal for the battery to get slightly warm during the charging process. The battery will reach its full capacity only after several complete charging cycles.*

## Phone description



1	Receiver
2	Display
3	Left soft key
4	Call button
5	Torch button
6	Number keys
7	* key: Press repeatedly to digit *,+,P,W. under text insertion mode press to add a symbol. Under some menu it is possible to use this key to move toward left.
8	0 key: Under text insertion mode press to add space;
9	# key: In standby mode press repeatedly to switch from general to vibration mode and vice versa; under text insertion mode press to change the writing method. Under some menus it is possible to use this key to move right.
10	Message button
11	SOS button
12	End call/Power on/off
13	Right soft key
14	Navigation key
15	Camera
16	Torch LED
17	Speaker
18	Earphone Jack



19	Micro-USB port
20	Desktop charging
21	Desktop charging

**FM radio:** BAS-24200M has an internal radio antenna so that no headset is needed to listen to the radio. To listen to the radio, access **FM Radio** from the main menu. By selecting **Options** you have accessed to the following functions:

- **Channel list:** To manually browse saved channels
- **Manual search:** For the manual search of radio channels
- **Automatic search:** To automatically search for radio stations
- **Settings:** Background and loudspeaker options

**Loudspeaker:** Listen to the radio with the speaker instead of the headphones (this option only appears when a headphone is inserted)

**Background:** Keep playing in background even after exiting from the radio app screen.

Use the \* and # keys for adjusting volume.

**Torch:** to turn the torch on and off by pressing the shortcut torch key.

**Shortcuts:** the UP selection key directly enters the Audio player, the DOWN selection key for go to settings, the LEFT selection key for Profiles, while the RIGHT selection key for Alarm.

**Main menu:**By pressing the left soft key to access the **Main Menu** on your phone

- **Messaging:**To write and read SMS text messages
- **Phonebook:** To manage and save contacts
- **Calls History:** Missed calls and dialed calls etc.
- **First Aid Settings:**To enable and customize the SOS function
- **Multimedia:** Audio player, sound recorder, and file manager
- **FM Radio:**To turn on or turn off the radio
- **Tools:** With calendar, alarm, calculator,flashlight and STK etc.
- **Settings:** To customize your phone

**Answer an incoming call:** When there's an incoming call, the phone will notify you through vibration, ringing according to your profiles settings. The name (if the contact is saved) and phone number of the caller is shown on the screen.

Answer a call by pressing the call button.

**Make a call:** To make a call from the home screen, input the desired number by using the keypad and then press the green

call button; to end the call, press the red end call key.

**Call a number from phonebook:** From the main screen, press the upper right selection key will automatically open the phonebook. Scroll through contacts with the UP/DOWN keys and press the green call button to call the desired contact.

**Call a number from the call log:** From the main screen, press the green call key, the **missed**, **received**, and **outgoing** calls will be automatically displayed.

Scroll with UP/Down keys and press the green call button when you find the number that you want to call.

**During a phone call:** When you are on the phone, the following functions can be used:

**H-Free:** Turn on/off hands-free option.

**Hold:** The current call is on hold and it's possible to reply to an incoming call.

**End single call:** Press to end the current call.

**Phonebook:** It is possible searching phone numbers during a phone call.

**Messaging:** Enter the message screen.

**Calls history:** It allows to display the calls list.

**Mute:**The microphone is turned off and the spokesperson will

not hear your voice.

**Sound recorder:** It is possible to record the call.

**Volume:** Adjust the volume of the speaker or headset.

**Add contacts to the phonebook:** Phone book allows saving the numbers on the SIM card or on the phone memory.

The option menus are shown as below:

**Call:** Dial the current number.

**New contact:** Create a new contact.

**View:** Allow displaying details of the selected contacts.

**Edit:** Allow editing contact information.

**Send SMS:** Send SMS to the chosen number.

**Delete:** Delete selected entry.

**Copy:** It allows copying the contacts from the phone memory to the SIM card and vice versa.

**Move:** It allows moving the contacts from the phone memory to the SIM card and vice versa.

**Add to blacklist:** It allows adding a contact to the blacklist.

**Mark several:** It allows proceeding actions to multiple contacts simultaneously.

**Phonebook settings:** Insertion and edit of the speed dial contacts with 2~9 number keys, phone memory status and

copy/moving/deletion of all contacts in phonebook.

**Speed dial:** in *Menu >Phonebook> Options >Phonebook settings> Speed Dial >OK> Edit*, you can assign a number key (2-9) to certain contact for speed dial, press and hold the certain number will automatically call this contact.

**Memory status:** This feature within the contacts settings allows you to check the free storage on the phone and SIM card.

### **Send and read SMS**

**Send SMS:** From the main screen, choose *Menu > Messaging > Write message* and write your message. Press *Options > Send to > Number* and enter the number using the numeric keypad or **Add from phonebook** to select the contact you want to text.

**Read SMS:** When you receive a new text message, the phone displays an envelope icon on the top bar (as long as the message is unread) and a notification pops up on the main screen. Press the upper left selection key to enter the **Inbox** or access it from the main screen by selecting *Menu > Messages >Inbox*.

**Bluetooth:** In *Settings > Bluetooth >Power on* you can turn on Bluetooth and search for other devices (headsets, phones...)

to pair with. Select the device you would like to pair and confirm it on both devices.

**S.O.S. function:** **BAS-24200** is equipped with a dedicated button for fast forwarding emergency calls (\*). This feature can be turned on and off by selecting **Menu>First Aid Settings>First Aid Open**. SOS button is placed on the rear of the phone. In case of emergency, use this function to ask for help from up to five phone numbers, previously set in **Menu>First Aid Settings>First Aid List**; press and hold the SOS button for 2-3 seconds. As soon as the SOS function is activated, the phone will send out a high volume alarm (that can be turned on and off in **First Aid Settings > First Aid play alarm On/Off**). Then, it will send a customized SOS message to the chosen SOS numbers. Afterwards, the phone will call the 5 SOS numbers, for about 25 seconds each. If there is no answer, there will be a second cycle of calls. This procedure will be repeated for 3 times. If one of the called numbers answers, the cycle will be interrupted and the call will automatically switch to speaker phone (handsfree).

***Attention: The S.O.S. calls cycle will be interrupted if the answering machine or voicemail of one of the called SOS numbers takes the call.***

**Set ringtones:** Select **Menu > Settings > Profiles > General > Customized > Ringtone**. And set the desired tone from those available.

Long press # key to change profile from “Silent” to “General” quickly.

**Phone settings:** From **Menu > Settings > Phone Settings**, you will access to various settings such as date and time, language, and display settings.

Select **Settings > Restore settings** of BAS-24200: enter the phone password **1234** to confirm the restoring.

## **Radio frequency (RF) exposure and SAR**

### **THIS DEVICE MEETS INTERNATIONAL GUIDELINES FOR EXPOSURE TO RADIO WAVES**

Your mobile device is a radio transmitter and receiver. It is designed and manufactured not to exceed the limits for exposure to radio frequency (RF) recommended by international guidelines (ICNIRP). These limits are part of comprehensive guidelines and establish permitted levels of RF energy for the general population. The guidelines were developed by independent scientific organizations through periodic and

thorough evaluation of scientific studies. The guidelines include a substantial safety margin designed to assure the safety of all persons, regardless of age and health.

The exposure standard for mobile devices employs a unit of measurement known as the Specific Absorption Rate, or SAR. Tests for SAR are conducted using standard operating positions with the device transmitting at its highest certified well below the maximum value. Although the SAR is determined at the highest certified power level, the actual SAR of the device while operating can be well below the maximum value. This is because the device is designed to operate at multiple power levels so as to use only the power required to reach the network. In general, the closer you are to a base station, the lower the power output of the device.

SAR values may vary depending on national reporting and testing requirements and the network band. Use of device accessories and enhancements may result in different SAR values.

The SAR limit for mobile devices used by the public is 2.0 W/kg averaged over 10 grams of body tissue. The guidelines incorporate a substantial margin of safety to give additional protection for the public and to account for any variations in measurements.



The highest SAR value for this model phone tested for use is 1.16mW/g.

### **Warning**

- Lithium battery inside!
- Do not try to open the product!
- Do not expose to heat, water, moisture, direct sunlight!



**CAUTION!**

Please notice - All products are subject to change without any notice. We take reservations for errors and omissions in the manual.

ALL RIGHTS RESERVED, COPYRIGHT DENVER  
ELECTRONICS A/S

DENVER®

[www.denver-electronics.com](http://www.denver-electronics.com)



Electric and electronic equipment and included batteries contains materials, components and substances that can be hazardous to your health and the environment, if the waste material (discarded electric and electronic equipment and batteries) is not handled correctly.

Electric and electronic equipment and batteries is marked with the crossed out trash can symbol, seen below. This symbol

signifies that electric and electronic equipment and batteries should not be disposed of with other household waste, but should be disposed of separately.

As the end user it is important that you submit your used batteries to the appropriate and designated facility. In this manner you make sure that the batteries are recycled in accordance with legislature and will not harm the environment.

All cities have established collection points, where electric and electronic equipment and batteries can either be submitted free of charge at recycling stations and other collection sites, or be collected from the households. Additional information is available at the technical department of your city.

Hereby, Inter Sales A/S declares that the radio equipment type **BAS-24200M** is in compliance with Directive 2014/53/EU. The full text of the EU declaration of conformity is available at the following internet address: [www.denver-electronics.com](http://www.denver-electronics.com) and then click the search ICON on topline of website. Write modelnumber: **BAS-24200M** Now enter product page, and red directive is found under downloads/other downloads.

DENVER ELECTRONICS A/S

Omega 5A, Soeften

DK-8382 Hinnerup

Denmark

[www.facebook.com/denverelectronics](http://www.facebook.com/denverelectronics)

Operating Frequency Range:

GSM900: 880.2-914.8MHz (TX), 925.2-959.8MHz (RX);

DCS1800: 1710.2-1784.8 MHz (TX), 1805.2-1879.8 MHz (RX);

Bluetooth:2402 ~ 2480 MHz (TX/RX);

FM: 87.5 - 108 MHz (Rx)

Transmit Power:

Max. 2W/Max. 1W

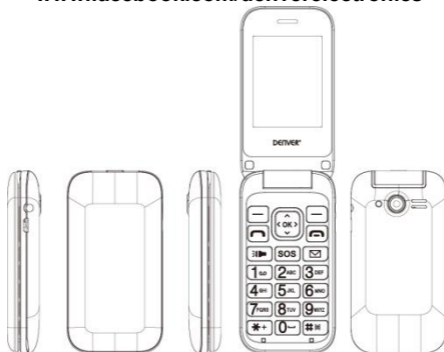
Bluetooth: 3.14 dBm EIRP

# DENVER<sup>®</sup>

## Seniortelefon

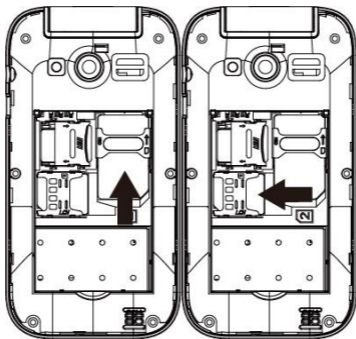
### BAS-24200M

[www.facebook.com/denverelectronics](http://www.facebook.com/denverelectronics)

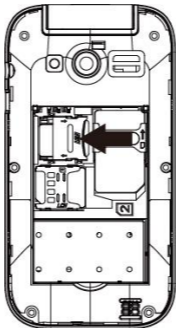


**Betjeningsvejledning**  
**Danish**

**Isætning af SIM-kort:** SIM-kortet indeholder dit telefonnummer, PIN-kode, links til udbyderservices, kontakter og SMS-beskeder. Du får adgang til det rum, hvor SIM1-kortet skal sidde, ved at slukke telefonen og løfte bagdækslet af ved at tage fat ved rillen i nederste højre hjørne. Tag batteriet ud. Sæt SIM-kortet i SIM-indstikket med guldkontakterne nedad.



**Isætning af hukommelseskort:** For at kunne bruge medieafspillerfunktionerne kræves et micro-SD hukommelseskort (medfølger ikke i pakken). Kortet skal sættes i SIM1-indstikket i venstre side på bagsiden af telefonen. Sæt micro-SD-kortet i med guldkontakterne nedad, som vist herunder. Åbn metalholderen ved at skubbe den imod "åbn", og lås den igen efter isætning af kortet ved at skubbe den i modsat retning ("lås").



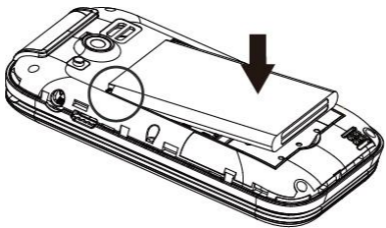
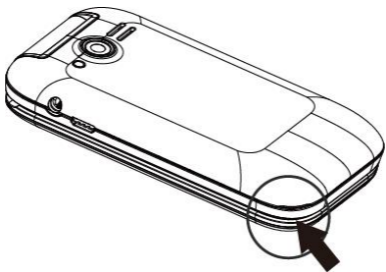
**Tænde, slukke og låse tastaturet:** tænd og sluk telefonen ved at trykke og holde den røde 'afslut opkald'-tast.

**Låsning og oplåsning af tastaturet:** Tryk på venstre menutast og tasten \* for at låse telefonen op og i.

**Tilslutning til en PC:** brug USB-kablet, hvis du vil forbinde BAS-24200M til en computer. Vælg **U Disk** på din telefon. Du kan gemme musikfiler til afspilning med telefonens musikafspiller ved at lægge dem i mappen **"My Music"** på SD-kortet.

**Ilægning af batteri:** din telefon leveres med et lithium-ion-batteri og er designet til udelukkende at anvende originale batterier og opladere. Batteriet skal sættes i rummet på bagsiden af telefonen. Sæt batteriet i batterirummet med kontakterne opad, så de møder kontakterne i telefonen. Når du er færdig, sættes bagdækslet på telefonen på igen, som vist på tegningerne herunder.



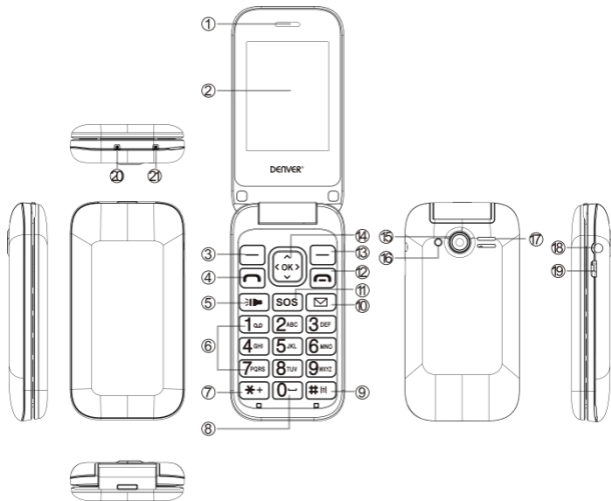


DAN-4

**Opladning af batteriet:** Oplad batteriet, inden du tager telefonen i brug. Forbind opladeren til en stikkontakt og sæt dernæst stikket i ladebasen (vent et øjeblik, indtil du får en audiobekræftelse på, at opladningen starter) eller forbind stikket direkte til micro USB-terminalen på højre side af telefonen. Når opladningen er gennemført, høres en ny audiobekræftelse.

***OBS:*** *Produktets funktionalitet bevares bedst ved altid at anvende **originale opladere**. På den måde sikres det også, at garantibetingelserne ikke overtrædes. Oplad batteriet indendørs i et tørt miljø ved normal temperatur. Det er almindeligt, at batteriet bliver lidt varmt under opladningen. Batteriet opnår først sin fulde kapacitet efter flere komplette op- og afladninger.*

## Oversigt over telefonen



1	Modtager
2	LCD-skærm
3	Venstre soft key
4	Opkaldstast
5	Tasten Tænd/sluk lygte
6	Numeriske taster
7	* tast:Standbytilstand: Kort tryk fo rat taste *, + og P,W.Redigeringstilstand:Tryk for at bruge normale symboler.
8	0 tast: i tekstredigeringstilstand skal du trykke her for at indsætte mellemrum mellem ord;
9	# tast:Standby: Langt tryk for at stille telefonen på lydløs, kort tryk for at indtaste #.Redigering: Tryk forat skifte indtastningsmåde.
10	Tasten Besked
11	SOS-tast
12	Afslut opkald og tænd-/sluktast
13	Højre soft key
14	Navigationstaster ^, v, <, >, OK
15	Kameraobjektiv
16	Lygte
17	Højtaler
18	3,5 mm øretelefonstik

19	Micro USB-indgang
20	Opladningafstationære
21	Opladningafstationære

**FM-radio:** BAS-24200M har en indbygget radioantenne, så du behøver ikke noget headset for at lytte til radio. Tænd og sluk radioen ved at gå ind i **FM-radio** i hovedmenuen. Når du vælger **Indstillinger**, har du følgende valgmuligheder:

**-Autosøg og gem:** til automatisk søgning og lagring af radiostationer.

**-Kanalliste:** til manuel gennemgang af gemte kanaler.

**-Manuel søgning:** til manuel søgning efter radiokanaler.

**-Åbn højttaler:** gengiver radioen gennem højttaleren i stedet for gennem hovedtelefonerne.

**-Baggrundsafspilning:** fortsætter afspilningen i baggrunden, selvom du lukker radiomenuen.

Brug piletasterne \* og # til indstilling af lydstyrken, OP og NED til at søge efter statione.

**Lygte:** Tryk på lygtetasten på tastaturet for at tænde eller slukke lygten.

**Genveje:** OP-tasten åbner lydafspilleren direkte; NED-tasten åbner punktet "Indstillinger"; VENSTRE-tasten giver adgang til Profilindstillinger; HØJRE-tasten giver adgang til alarm.

**Hovedmenu:**Når du vil åbne **Hovedmenuen** i din telefon, skal du trykke på øverste tast i venstre side

- **Beskeder:** til skrivning og læsning af SMS-beskeder
- **Kontakter:** her håndteres og gemmes kontakter
- **Opkaldslog:** mistede opkald, udgående opkald...
- **SOS:** til opsætning og tilpasning af SOS-funktionen
- **Multimedie:** kamera, radio, galleri...
- **FM-radio:** tænder og slukker radioen
- **Værktøj:** med Kalender, Regnemaskine, Alarm...
- **Opsætning:** til opsætning af din telefon

**Sådan besvares et indgående opkald:** Når der kommer et indgående opkald, vil telefonen vibrere eller ringe, afhængigt af dine profilindstillinger. Navn (hvis kontakten er gemt) og telefonnummer på den, der ringer, vises på displayet. Besvar et opkald ved at trykke på opkaldstasten.

**Foretage et opkald:** hvis du vil foretage et opkald fra startskærmen, skal du indtaste det ønskede nummer med det numeriske tastatur og dernæst trykke på den grønne opkaldstast. Afslut opkaldet ved at trykke på den røde tast.

**Ring op til et nummer i kontakterne:** gå ind i startskærmen og tryk på øverste højre valgtast; denne tast åbner automatisk Kontakter. Brug piletasterne OP/NED til at rulle ned gennem listen med kontakter og tryk på den grønne opkaldstast for at ringe op til den valgte kontakt.

**Ring op til et nummer fra opkaldsloggen:** gå ind i startskærmen og tryk på den grønne opkaldstast. Du får nu automatisk vist **mistede, indgående og udgående opkald**.

Rul op og ned med piletasterne OP/NED og tryk på den grønne opkaldstast, når du finder det nummer, du vil ringe op til.

**Under et telefonopkald:** Når du taler i telefon, kan følgende funktioner bruges:

**Håndfri:** Slå håndfri funktion til/fra.

**Venteposition:** Det aktuelle opkald sættes i venteposition, og det er muligt at besvare et indgående opkald.

**Afslut enkelt opkald:** Tryk for at afslutte det aktuelle opkald.

**Telefonbog:** Du kan søge i telefonnumre under et opkald.

**SMS:** Åbner beskeddisplayet.

**Opkaldslog:** Her kan du se listen over opkald.

**Lydløs:** Mikrofonen slås fra, og personen i den anden ende vil ikke kunne høre din stemme.

**Lydoptager:** Du kan optage opkaldet.

**Lydstyrke:** Justér lydstyrken i højttaler eller headset.

**Føje en kontakt til Kontakter:** Telefonbogen gør det muligt at gemme numre på SIM-kortet eller i telefonens hukommelse.

Valgmulighederne i menuen vises herunder:

**Kald op:** Ring til det aktuelle nummer.

**Ny kontakt:** Opret en ny kontakt.

**Vis:** Få vist oplysninger om de valgte kontakter.

**Redigér:** Få adgang til at redigere kontaktoplysningerne.

**Send SMS:** Send en SMS til det valgte nummer.

**Slet:** Slet den valgte post.

**Kopiér:** Det er muligt at kopiere kontakter fra telefonens hukommelse til SIM-kortet og vice versa.

**Flyt:** Det er muligt at flytte kontakter fra telefonens hukommelse



til SIM-kortet og vice versa.

**Sortlist:** Det er muligt at føje en kontakt til sortlisten.

**Markér flere:** Det er muligt at foretage samme handling på flere kontakter samtidig.

**Telefonbogsindstillinger:** Du kan indsætte og redigere hurtigopkaldskontakter med de numeriske taster 2-9, se status for telefonens hukommelse og kopiere/flytte/slette alle kontakter i telefonbogen.

**Hurtigopkald:** i *Menu > Telefonbog > Indstilling > Telefonbog indstillinger > Hurtigopkald > Opsætning > Redigér* kan du føje numre til de numeriske taster 2-9, således at disse numre automatisk ringes op, hvis du trykker og holder den tilhørende tast.

**Hukommelsesstatus:** denne funktion i kontaktindstillingerne gør det muligt at se, hvor meget fri plads der er i telefonen og på SIM-kortet.

## **Sende og læse SMS-beskeder**

**Sende en SMS:** gå ind i startskærmen, vælg *Menu > Beskeder > Skriv besked* og skriv din SMS. Tryk på *Indstillinger > Send til > Indsæt nummer* og indtast nummeret med det numeriske tastatur eller vælg **Indsæt kontakter**, hvis

du vil finde den kontakt, du vil sende til, blandt dine Kontakter.

**Læse en SMS:** når du modtager en ny SMS, viser telefonen et ikon med en kuvert i øverste bjælke (indtil beskeden læses/så længe beskeden er ulæst), og der vises en notifikation på startskærmen. Tryk på øverste venstre valgtast for at åbne **Indbakken**, eller åbn beskeden fra startskærmen ved at vælge **Menu > Beskeder > Indbakke**.

**Bluetooth: Opsætning > Bluetooth > Åbn Bluetooth** kan du slå Bluetooth til og søge efter andre enheder (headsets, telefoner...). Vælg den enhed, du vil oprette forbindelse til, og bekræft på begge enheder.

**SOS-funktion: BAS-24200M** er udstyret med en dedikeret tast til hurtig udsendelse af SOS-opkald. SOS-tasten (\*) sidder på telefonens bagside. I nødstilfælde kan du anvende denne funktion til at bede om hjælp fra op til fem telefonnumre, som du tidligere har indsat i **Menu > Førstehjælps indstillinger > Førstehjælpsliste**; tryk og hold SOS-tasten i 2-3 sekunder. Når du trykker på SOS-tasten, udsender telefonen en højlydt alarm (der kan slås til og fra i **Førstehjælps indstillinger > Førstehjælp afspil alarm**). Herefter sender telefonen automatisk den forud indtastede SOS-besked til de udvalgte SOS-numre. Dernæst ringer telefonen op til de 5 SOS-numre i ca. 25 sekunder hver. Hvis der ikke svares, foretager telefonen

en ny opkaldsrunde. Denne procedure gentages 3 gange. Hvis et af de kaldte numre svarer, afbrydes runden, og telefonen skifter automatisk til håndfrit opkald.

**OBS: SOS opkaldscyklus afbrydes også, hvis et SOS-opkald besvares af en telefonsvarer eller af voicemail.**

**Valg af ringetoner:** gå ind i **Menu > Opsætning > Profiler > Generalt > Tilpas > Ringetone**. Vælg **faste ringetoner** og vælg den ønskede ringetone blandt de tilgængelige muligheder.

**Hurtig aktivering/deaktivering af Lydløs** Hvis du hurtigt vil slå indgående ringe- og beskedtoner fra og aktivere lydløs, skal du trykke og holde tast **#**, som aktiverer **Lydløs tilstand**.

**Telefonopsætning:** i **Menu > Opsætning > Telefonopsætning** har du adgang til forskellig opsætning som f.eks. Dato og Tid, Sprog, Opsætning af genveje, Autotænd/-sluk. Vælg **Nulstil**, hvis du vil **Genskab indstillinger** i BAS-24200M: indtast telefonens kode **1234** for at bekræfte nulstillingen.

## **Radiofrekvens (RF) stråling og SAR DETTE APPARAT OVERHOLDER DE INTERNATIONALE RETNINGSLINJER FOR UDSÆTTELSE FOR RADIOFREKVENSENERGI**

Din mobiltelefon er en radio sender- og modtager. Den er designet og fremstillet til ikke at overskride de grænser for radiofrekvensenergi (RF), der anbefales i de internationale retningslinjer (ICNIRP). Disse grænser er en del af et omfattende sæt retningslinjer og fastsætter tilladte grænseværdier for mængden af radiofrekvens, som almindelige borgere må udsættes for. Disse retningslinjer er udarbejdet af uafhængige videnskabelige organisationer gennem periodisk og grundig vurdering af videnskabelige studier. Retningslinjerne indeholder en stor sikkerhedsmargin, der er designet til at håndhæve sikkerheden for alle brugere, uanset deres alder og helbredstilstand.

Eksponeringsstandarden for mobile enheder anvender en måleenhed, der kaldes Specific Absorption Rate eller SAR. Den SAR-grænse, der er angivet i de internationale retningslinjer, er 2,0 watt / kilo\*. Tests for SAR udføres med standarddriftspositionerne, mens enheden sender med den højeste certificerede værdi, langt under den maksimale værdi. Det skyldes, at enheden er konstrueret til at fungere på flere effektive niveauer, således at der kun anvendes den effekt, der

kræves for at få forbindelse til netværket.

Generelt, jo tættere du er på en basestation, jo lavere er enhedens effekt på alle testede frekvensbånd.

Selvom SAR fastsættes ved den højeste certificerede effekt, kan den faktiske SAR, enheden afgiver, mens den er i brug, være et godt stykke under den maksimale værdi. Det skyldes, at enheden er konstrueret til at fungere på flere effektive niveauer, således at der kun anvendes den effekt, der kræves for at få forbindelse til netværket. Generelt, jo tættere du er på en basestation, jo lavere er enhedens effekt.

SAR-værdier kan variere, afhængigt af nationale rapporterings- og testkrav samt netværksbåndet. Brugen af tilbehør og ekstraudstyr kan resultere i forskellige SAR-værdier.

\* SAR-grænsen for mobile enheder, der bruges af offentligheden, er  $2,0 \text{ W / kg}$  i gennemsnit pr.  $10 \text{ gram}$  kropsvæv.

Retningslinjerne har en stor sikkerhedsmargin for at give ekstra beskyttelse for offentligheden og for at tage højde for variationer i målingerne. SAR-værdier kan variere, afhængigt af nationale rapporteringskrav og netværksbåndet.

Den højeste SAR-værdi for denne telefonmodel under test ved brug af telefonen er  $1.16 \text{ mW / g}$ .

## Advarsel

- Indeholder Lithium-batteri!
- Forsøg ikke at åbne produktet!
- Må ikke udsættes for stærk varme, vand, fugt eller direkte sollys!



FORSIGTIG!

Bemærk - Ret til ændring i design og specifikationer uden varsel.  
Der tages forbehold for tekniske ændringer, fejl og mangler i manualen.

**ALLE RETTIGHEDER RESERVERET, COPYRIGHT DENVER  
ELECTRONICS A/S**

DENVER®

[www.denver-electronics.com](http://www.denver-electronics.com)



Elektrisk og elektronisk udstyr samt medfølgende batterier indeholder materialer, komponenter og stoffer, der kan være skadelige for menneskers sundhed og for miljøet, hvis affaldet (kasseret elektrisk og elektronisk udstyr og batterier) ikke håndteres korrekt.

Elektrisk og elektronisk udstyr og batterier er mærket med nedenstående overkrydsede skraldespand. Den symboliserer, at elektrisk og elektronisk udstyr og batterier ikke må bortskaffes

sammen med usorteret husholdningsaffald, men skal indsamles særskilt.

Som slutbruger er det vigtigt, at du afleverer dine brugte batterier til de ordninger, der er etablerede. På denne måde er du med til at sikre, at batterierne genanvendes i overensstemmelse med lovgivningen og ikke unødigt belaster miljøet.

Alle kommuner har etableret indsamlingsordninger, hvor kasseret elektrisk og elektronisk udstyr samt bærbare batterier gratis kan afleveres af borgerne på genbrugsstationer og andre indsamlingssteder eller bliver afhentet direkte fra husholdningerne. Nærmere information kan fås hos kommunens tekniske forvaltning.

Hermed erklærer Inter Sales A/S, at radioudstyrstypen **BAS-24200M** er i overensstemmelse med direktiv 2014/53/EU. EU-overensstemmelseserklæringens fulde tekst kan findes på følgende internetadresse: Gå venligst ind på: [www.denver-electronics.com](http://www.denver-electronics.com) og klik på søge ikonet på toplinjen. Skriv modelnummer: **BAS-24200M**  
Gå herefter ind på produktsiden, og red direktivet er fundet under "downloads/other downloads"



DENVER ELECTRONICS A/S

Omega 5A, Søften

DK-8382 Hinnerup

Danmark

[www.facebook.com/denverelectronics](http://www.facebook.com/denverelectronics)

Driftsfrekvensområde:

E-GSM900: 880,2-914,8 MHz (TX), 925,2-959,8 MHz (RX);

DCS1800: 1710,2-1784,8 MHz (TX), 1805,2-1879,8 MHz (RX);

Bluetooth: 2402 - 2480 MHz (TX/RX);

FM: 87.5 - 108 MHz (Rx)

Maksimal udgangseffekt:

Maksimal. 2W/ Maksimal.1W

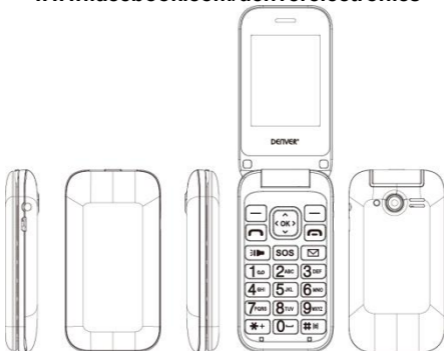
Bluetooth: 3.14 dBm EIRP

# DENVER<sup>®</sup>

## Senioripuhelin

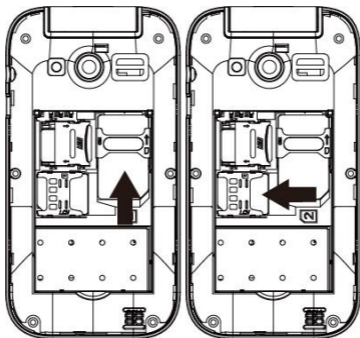
### BAS-24200M

[www.facebook.com/denverelectronics](http://www.facebook.com/denverelectronics)

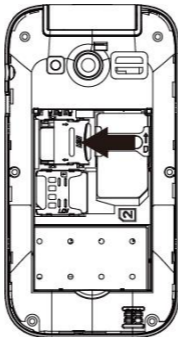


**Käyttöopas**  
**Finnish**

**Aseta SIM-kortti:** SIM-kortissa on puhelinnumerosi, PIN-koodi, yhteys operaattorin palveluihin, yhteystiedot ja tekstiviestit. Pääset SIM-korttipaikkaan kytkemällä puhelimen pois päältä ja nostamalla kannen irti oikean yläkulman aukosta. Poista akku. Aseta SIM-kortti paikoilleen kullankäriset liittimet alaspäin.



**Muistikortin asettaminen:** Mediasoitimen toimintojen käyttö vaatii micro-SD-muistikortin (ei sisälly pakkaukseen). Kortti laitetaan SIM1-korttipaikkaan puhelimen takana vasemmalla. Aseta micro-SD-kortti kullankäyttöön tarkoitetut kontaktipinnat alaspäin, kuten alla näytetään. Avaa metalliluukku painamalla sitä "auki"-suuntaan ja lukitse kortin asettamisen jälkeen painamalla vastakkaiseen suuntaan ("lukitus").

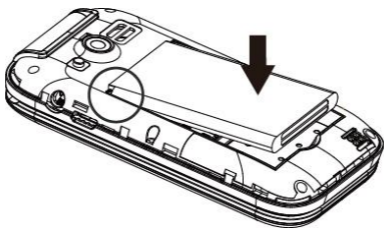
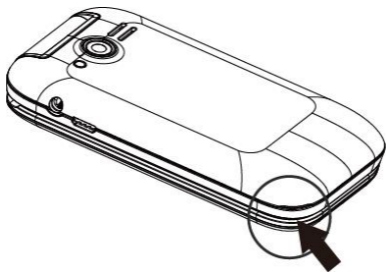


**Kytke PÄÄLLE, kytke POIS ja näppäimistölukko:** kytke puhelin päälle ja pois päältä painamalla ja pitämällä punaista puhelun lopetusnäppäintä.

**Näppäimistön lukitus ja avaaminen:** Voit lukita/avata puhelimen näppäimistön painamalla valintanäppäintä ja \*-näppäintä.

**Yhdistäminen tietokoneeseen:** käytä USB-kaapelia BAS-24200M:n ja tietokoneen yhdistämiseen. Valitse puhelimesta **U-levy**. Voit tallentaa musiikkia SD-muistikortin "**Oma musiikki**"-kansioon ja soittaa musiikkisoittimella.

**Akun asettaminen:** Laitteessa on litiumioniakku. Laite on suunniteltu käytettäväksi vain alkuperäisten akkujen ja latureiden kanssa. Akku asetetaan puhelimen taakse. Aseta akku akkupaikkaan liittimet ylöspäin vasten puhelimen liittimiä. Kun olet valmis, aseta takakansi paikoilleen siten kuin seuraavissa kuvissa näytetään.

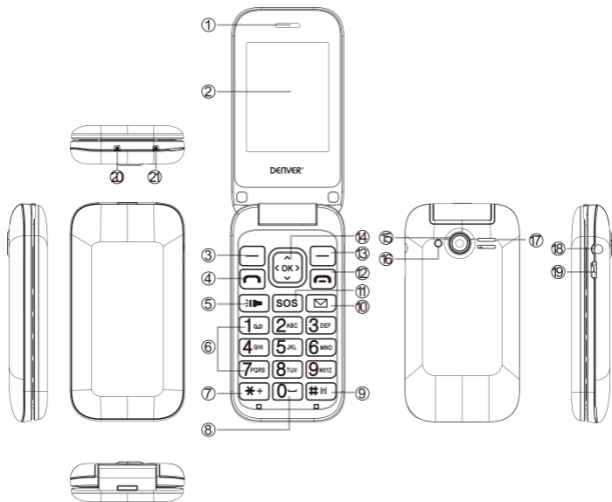


FIN-4

**Akun lataaminen:** lataa akku ennen laitteen käytön aloittamista. Yhdistä laturi pistorasiaan ja kytke sitten liitin latausalustaan (odota hetki, kunnes merkkiäni ilmaisee latauksen alkaneen) tai voit yhdistää laturin suoraan puhelimen oikeassa sivussa olevaan micro-USB-porttiin. Toinen äänimerkki kuuluu, kun lataus on päättynyt/on valmis.

***Huomio:*** tuotteen toimivuuden takia ja takuun säilymiseksi suosittelemme käyttämään **alkuperäisiä latureita**. Lataa akku sisätiloissa, kuivassa ja soveltuvassa ympäristössä. On normaalia, että akku kuumenee jonkin verran latausprosessin aikana. Akku saavuttaa täyden kapasiteetin vasta muutaman täyteen latauksen jälkeen.

## Puhelimen kuvaus





1	Vastaanotin
2	LCD-näyttö
3	Vasen pehmeä näppäin
4	Soitto näppäin
5	Taskulamppu päälle- / pois päältä -painike
6	Numeronäp painike
7	*-painike: Lyhyelläpainalluksella kirjoitat *,+, P,W.Muokkaustila: painamalla käytät normaalia symbolia.
8	0-painike: tekstin muokkaustilassa painaminen lisää välin sanojen väliin;
9	#-painike:Valmiustila: Pitkä painallus asettaa puhelimen äänettömään tilaan, lyhyt painallus kirjoittaa #. Muokkaustila: Paina vaihtaaksesi kirjoitustapaa.
10	Viestipainike
11	SOS-painike
12	Puhelun lopetusnäppäin ja virta päälle/pois päältä
13	Oikea pehmeä näppäin
14	Navigointi: ^, v, <, >, OK
15	Kameran linssi
16	Taskulamppu
17	Kaiutin
18	3,5 mm:n kuulokeliitäntä

19	Micro-USB-tulo
20	Lataus teline
21	Lataus teline

**FM-radio:** BAS-24200M-puhelimessa on sisäinen radiokaiutin, joten radion kuuntelu ei vaadi kuulokkeita. Kytke radio PÄÄLLE/POIS menemällä päävalikon kohtaan **FM-radio**. Valitsemalla **Valinnat** pääset seuraaviin toimintoihin:

- **Autom haku ja tallennus:** voit hakea automaattisesti radioasemia ja tallentaa ne.
- **Kanavaluettelo:** voit selata manuaalisesti tallennettuja kanavia
- **Manuaalinen haku:** manuaalinen radiokanavien haku
- **Avaa kaiutin:** tuottaa radion äänen kaiuttimesta kuulokkeiden sijasta
- **Taustasoitto:** pysyy soimassa taustalla, vaikka poistut radiosovellusnäytöstä

Säädä äänenvoimakkuutta \*- ja #-valintanäppäimellä, hae asemia YLÖS- ja ALAS-näppäimellä.

**Taskulamppu** kytke taskulamppu päälle tai pois päältä

painamalla näppäimistön taskulamppunäppäintä.

**Pikakuvakkeet:** YLÖS-näppäin avaa suoraa äänisoittimen; ALAS-näppäimellä pääsee ”Asetukset”-vaihtoehtoihin; VASEMMALLE-näppäimellä pääsee profiiliasetuksiin; OIKEALLE-näppäimellä pääsee hälytykseen.

**Päävalikko:** pääset puhelimen **päävalikkoon** painamalla vasenta valonäppäintä ylävasemmalla.

- **Viestit:** tekstiviestien kirjoittaminen ja lukeminen
- **Yhteystiedot:** yhteystietojen hallinta ja tallennus
- **Puhelutiedot:** vastaamattomat puhelut, soitetut puhelut...
- **SOS:** SOS-toiminnon käyttöönotto ja mukauttaminen
- **Multimedia:** kamera, radio, galleria...
- **FM-radio:** radion kytkeminen päälle ja pois päältä
- **Työkalut:** kalenteri, laskin, hälytys...
- **Asetukset:** puhelimen mukauttaminen

**Saapuvaan puheluun vastaaminen:** Puhelin ilmoittaa saapuvasta puhelusta värisemällä tai soimalla profiiliasetustesi mukaisesti. Näytössä näkyy soittajan nimi (jos yhteystieto on tallennettu) ja puhelinnumero.

Vastaa puheluun painamalla soittopainiketta.

**Puhelun soittaminen:**soita puhelu aloitusnäytöstä valitsemalla haluamasi numero näppäimillä ja painamalla vihreää soittonäppäintä. Lopeta puhelu painamalla punaista puhelun lopetusnäppäintä.

**Soita yhteystiedoissa olevaan numeroon:** paina päänäytössä ylhäällä oikealla olevaa valintanäppäintä; siirryt automaattisesti yhteystietoihin. Selaa yhteystietoja YLÖS-/ALAS-näppäimillä ja soita haluamaasi yhteystietoon painamalla vihreää soittonäppäintä.

**Puhelun aikana:** Puhelimessa ollessasi voit käyttää seuraavia toimintoja:

**Handsfree:** Kytke handsfree-toiminto päälle/pois päältä.

**Pito:** Nykyinen puhelu on pidossa, jolloin on mahdollista vastata toiseen saapuvaan puheluun.

**Puhelun lopettaminen:** Painamalla lopetat nykyisen puhelun.

**Puhelinluettelo:** Puhelinnumeroiden hakeminen on mahdollista puhelun aikana.

**Viestit:** Siirtyminen viestinäyttöön.

**Puheluhistoria:** Näyttää luettelon puheluista.

**Mykistä:** Mikrofoni kytkeytyy pois päältä, eikä puhelun toinen osapuoli kuule ääntäsi.

**Äänen tallennin:** Voit tallentaa puhelun.

**Äänvoimakkuus:** Kaiuttimen tai kuulokkeiden äänvoimakkuuden äänvoimakkuuden säätäminen.

**Soita puhelulokissa olevaan numeroon:** Puhelinluettelo sallii numeroiden tallentamisen SIM-kortille tai puhelimen muistiin. Vaihtoehtoiset valikot ovat seuraavat:**Soita:** Valitse olemassa oleva numero.

**Uusi yhteystieto:** Luo uusi yhteystieto.

**Näytä:** Näyttää valitut yhteystiedot.

**Muokkaa:** Sallii yhteystiedon muokkaamisen.

**Lähetä tekstiviesti:** Lähettää tekstiviestin valittuun numeroon.

**Poista:** Poistaa valitun syötön.

**Kopioi:** Sallii yhteystietojen kopioimisen puhelimen muistista SIM-kortille ja päinvastoin.

**Siirrä:** Sallii yhteystietojen siirtämisen puhelimen muistista SIM-kortille ja päinvastoin.

**Lisää estettyihin:** Sallii yhteystiedon lisäämisen estettyjen luetteloon.

**Merkitse useita:** Sallii toiminnon tekemisen useammalle yhteystiedolle samanaikaisesti.

**Puhelinluettelon asetukset:** Pikavalintatietojen asettaminen ja muokkaaminen 2–9 numeronäppäimellä, puhelimen muistin tila ja kaikkien yhteystietojen kopioiminen/siirtäminen/poistaminen puhelinluettelosta.

**Pikavalinta:** Voit tallentaa näppäimiin 2–9 tietyt numerot menemällä kohtaan **Valikko > Puhelinluettelo > Valinta > Asetukset > Pikavalinta > Valinnat > Muokkaa**. Näihin numeroihin soitetaan automaattisesti, kun painat ja pidät vastaavia painikkeita.

**Muistin tila:** tämä ominaisuus yhteystietoasetuksissa näyttää vapaan muistitilan määrän puhelimesta ja SIM-kortilla.

## **Tekstiviestin lähettäminen ja kirjoittaminen**

**Lähetä tekstiviesti:** valitse päänäytöstä **Valikko > Viestit > Kirjoita viesti** ja kirjoita viestisi. Paina **Valinnat > Lähetä > Syötä numero** ja anna numero numeronäppäimillä tai **Syötä yhteystieto** ja valitse yhteystiedoista henkilö, jolle haluat lähettää tekstiviestin.

**Lue tekstiviesti:** kun olet saanut uuden tekstiviestin, puhelimen näytön yläpalkissa on kirjekuoren kuvake (niin kauan kunnes olet lukenut viestin/niin kauan kuin viesti on lukematon) ja ilmoitus ponnahtaa päänäyttöön. Paina ylhäällä vasemmalla olevaa valintanäppäintä päästäksesi kohtaan **Saapuneet** tai mene sinne päänäytöstä valitsemalla **Valikko > Viestit > Saapuneet**.

**Bluetooth:** kohdasta **Asetukset > Bluetooth > Avaa Bluetooth** voit kytkeä Bluetooth-yhteyden päälle ja etsiä muita laitteita (kuulokkeet, puhelimet...). Valitse laite, johon haluat yhdistää ja vahvista yhdistäminen kummastakin laitteesta.

**S.O.S. Toiminto:****BAS-24200M** on varustettu erityispainikkeella hätäpuheluiden pikaiseen soittamiseen (\*). SOS-painike sijaitsee puhelimen takana. Käytä tätä toimintoa hätätapauksissa ja soita enintään viiteen puhelinnumeroon, jotka on etukäteen asetettu kohdassa **Valikko> Ensiapuasetukset > Ensiapulista**; paina ja pidä SOS-painiketta 2–3 sekuntia. Heti, kun SOS-numero on esivalittu, puhelin lähettää kovaäänisen hälytyksen (voidaan kytkeä päälle ja pois päältä kohdasta **Ensiapuasetukset > Ensiavun hälytyksen toisto**). Sen jälkeen se lähettää mukautetun SOS-viestin valittuihin SOS-numeroihin. Tämän jälkeen puhelin soittaa 5 SOS-numeroon noin 25 sekuntia kuhunkin. Jos kukaan ei vastaa, se tekee toisen puhelukierroksen. Tämä toistetaan 3 kertaa. Jos jokin numeroista vastaa, kierros keskeytyy ja puhelu siirtyy automaattisesti kaiutinpuheluksi (handsfree).

**Huomio:** *SOS-puhelukierros keskeytyy, jos vastaaja tai puheposti vastaa puheluun jossakin numeroista.*

**Soittoäänen asettaminen:** valitse **Valikko > Asetukset > Profiilit > Yleinen > Mukauta > Soittoääni**. Valitse **kiinteät soittoään** ja aseta käytettävissä olevista haluamasi soittoääni.

**Pikakytkentä päälle/pois mykistys-/värinätila:** Voit pikakytkä saapuvien puheluiden ja viestien soittoäänen pois päältä ja aktivoida mykistyksen/värinän painamalla ja pitämällä #, puhelin siirtyy **mykistystilaan**.

**Puhelimen asetukset:** kohdasta **Valikko > Asetukset > Puhelimen asetus** pääset erilaisiin asetuksiin, kuten päivämäärä ja aika, kieli, pikakuvakkeiden asetukset, automaattinen päälle/pois päältä. Valitse **Palauta tehdasasetukset**, kun haluat palauttaa BAS-24200M:n tehdasasetukset: anna puhelimen salasana 1234 palautuksen vahvistamiseksi.

## **Radiotaajuusaltistuminen (RF) ja SAR TÄMÄ LAITE TÄYTTÄÄ KANSAINVÄLISET RADIOAALTOALTISTUSTA KOSKEVAT OHJEISTUKSET**

Matkapuhelin on radiolähetin ja -vastaanotin. Se on suunniteltu ja valmistettu noudattamaan kansainvälisten ohjeistusten (ICNIRP) suosittamia radiotaajuuksille (RF) altistumisen



raja-arvoja. Nämä raja-arvot ovat osa kattavaa ohjeistusta ja niissä määritetään sallittu RF-energiataso väestöä varten. Ohjeistuksen ovat kehittäneet riippumattomat tieteelliset organisaatiot säännöllisen ja perusteellisen tieteellisten tutkimusten arvioinnin perusteella. Ohjeistus sisältää merkittävän turvavaran, jonka tarkoitus on taata kaikkien henkilöiden turvallisuus heidän iästään ja terveydestään riippumatta.

Mobiililaitteiden altistusstandardissa käytetään mittayksikköä, jota nimitetään Specific Absorption Rate eli SAR:ksi. Kansainvälisessä ohjeistuksessa annettu SAR-raja on 2,0 wattia/kilogramma (W/kg)\*. SAR-testit suoritetaan käyttäen tavanomaisia käyttöasentoja, joissa laite lähettää korkeimmalla sertifioidulla teholla, joka on reilusti maksimiarvon alapuolella. Tämä johtuu siitä, että laite on suunniteltu toimimaan useilla eri tehotasoilla, jotta se käyttää vain riittävän määrän tehoa saavuttaakseen verkon. Yleensä, mitä lähempänä olet tukiasemaa, sitä pienempi on laitteen kuluttama teho. tehotaso kaikissa testatuissa taajuusalueissa.

Vaikka SAR määritetään korkeimmalla sertifioidulla tehotasolla, laitteen todellinen SAR käytössä voi olla reilusti maksimiarvon alapuolella. Tämä johtuu siitä, että laite on suunniteltu toimimaan useilla eri tehotasoilla, jotta se käyttää vain riittävän määrän tehoa saavuttaakseen verkon. Yleensä, mitä lähempänä olet tukiasemaa, sitä pienempi on laitteen

kuluttama teho.

SAR-arvot voivat vaihdella kansallisten raportointi- ja testausvaatimusten sekä verkon taajuuden mukaan. Laitteiden lisävarusteiden ja parannusten käyttö voi muuttaa SAR-arvoja.

\* Julkisesti käytettävien mobiililaitteiden SAR-raja on 2,0 W/kg keskiarvotettuna 10 grammalla kudosta. Ohjeistus sisältää merkittävän turvavaran lisäsuojan takaamiseksi väestölle sekä kattamaan mahdolliset mittausvaihtelut. SAR-arvot voivat vaihdella kansallisten raportointivaatimusten sekä verkon taajuuden mukaan.

Korkein tällä puhelinmallilla käytössä testattu SAR-arvo on 1.16 mW/g

### **Varoitus**

- Sisällä on litiumakku!
- Älä yritä avata tuotetta!
- Älä altista lämmölle, vedelle, kosteudelle, suoralle auringonpaisteelle!



**HUOMIO!**

Ota huomioon – kaikkia tuotteita voidaan muuttaa ilman erillistä ilmoitusta. Emme vastaa käyttöoppaan virheistä tai puutteista.

## **KAIKKI OIKEUDET PIDÄTETÄÄN, TEKIJÄNOIKEUS DENVER ELECTRONICS A/S**

DENVER®

[www.denver-electronics.com](http://www.denver-electronics.com)



Sähkö- ja elektroniikkalaitteet sekä niissä käytettävät paristot sisältävät materiaaleja, komponentteja ja aineita, jotka voivat olla vahingollisia terveydelle ja ympäristölle, jos jättemateriaalia (pois heitettävät sähkö- ja elektroniikkalaitteet sekä paristot) ei käsitellä asianmukaisesti.

Sähkö- ja elektroniikkalaitteet sekä paristot on merkitty alla olevalla rastitun jätteen symbolilla. Symboli kertoo, ettei sähkö- ja elektroniikkalaitteita tai paristoja saa hävittää kotitalousjätteen mukana, vaan ne on hävitettävä erikseen. On tärkeää, että loppukäyttäjänä viet käytetyt paristot oikeaan

keräyspaikkaan. Tällä tavoin voit varmistaa, että paristot kierrätetään lain mukaan, eivätkä ne vahingoita ympäristöä. Kaikkiin kaupunkeihin on perustettu keräyspisteitä, joihin sähkö- ja elektroniikkalaitteet sekä paristot voidaan viedä maksutta edelleen toimitettaviksi kierrätysasemille tai muihin keräyspisteisiin tai ne voidaan kerätä suoraan kotoa. Lisätietoja saat kuntasi tekniseltä osastolta.

Inter Sales A/S vakuuttaa, että radiolaitetyyppi **BAS-24200M** on direktiivin 2014/53/EU mukainen.

EU-vaatimustenmukaisuusvakuutuksen täysimittainen teksti on saatavilla seuraavassa osoitteessa: Mene osoitteeseen: [www.denver-electronics.com](http://www.denver-electronics.com) ja napsauta hakukuvaketta verkkosivuston yläreunassa. Kirjoita mallinumero: **BAS-24200M**

Siirry nyt tuotesivulle, RED-direktiivi näkyy latausten/muiden latausten alla.

DENVER ELECTRONICS A/S

Omega 5A, Soeften

DK-8382 Hinnerup

Tanska

[www.facebook.com/denverelectronics](http://www.facebook.com/denverelectronics)

Käyttötaajuusalue:

E-GSM900: 880,2–914,8 MHz (TX), 925,2–959,8 MHz (RX);

DCS1800: 1710,2–1784,8 MHz (TX), 1805,2–1879,8 MHz (RX);

Bluetooth: 2402 ~ 2480 MHz (TX/RX);

FM: 87.5 - 108 MHz (Rx)

Maks.lähtöteho:

Maks.2W/ Maks.1W

Bluetooth: 3.14 dBm EIRP

# DENVER<sup>®</sup>

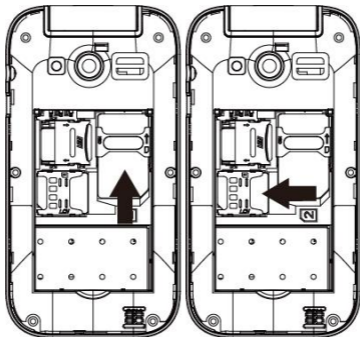
**Seniortelefon  
BAS-24200M**

[www.facebook.com/denverelectronics](http://www.facebook.com/denverelectronics)

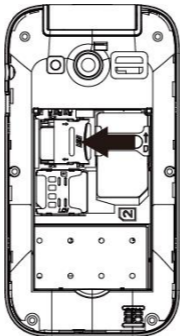


**Brukerhåndbok  
Norsk**

**Sett inn SIM kort:** SIM-kortet inneholder telefonnummeret ditt, PIN-kode, lenker til operatørtjenester, kontakter og SMS-meldinger. For å få tilgang til rommet som inneholder SIM-sporet, slå av telefonen og løft opp dekselet fra spalten i nederste høyre hjørne. Fjern batteriet. Sett inn SIM-kortet i sporet med gullkontaktene vendt ned.



**Sette inn minnekort:** For å bruke mediaspillerfunksjonene kreves det et microSD-minnekort (følger ikke med i pakken). Kortet skal settes inn i SIM1-sporet inne i telefonen på venstre side bak. Sett inn microSD-kortet som vist nedenfor, med de gylne kontaktene vendt nedover. Åpne metallklemmen ved å skyve den mot «åpen» og lukk den igjen etter at du har satt inn kortet ved å skyve den i motsatt retning («lås»).



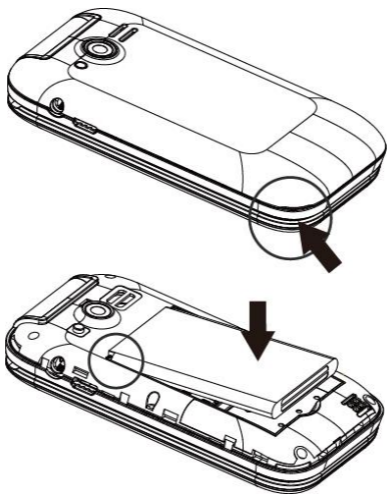


**Slå PÅ, slå AV og tastelås:** For å slå på og slå av telefonen, trykk og hold den røde avslutt samtale-tasten. Tastaturet låses ved å lukke klaffen.

**Låse og låse opp tastaturet:** Trykk på den venstre funksjonstasten og \* samtidig for å låse/låse opp telefonen.

**Koble til en PC:** bruke USB-kabel for å koble BAS-24200M til en datamaskin. Velg USB-lagring på telefonen. På SD-kortet kan du lagre sanger for å spille med musikkspilleren i "**My Music**" -mappen.

**Sette inn batteriet:** enheten er utstyrt med et litium-ion-batteri, og er designet for å brukes utelukkende med originale batterier og ladere. Batteriet må settes inn på baksiden av telefonen. Sett batteriet inn i batterirommet med kontaktene vendt opp mot tilsvarende del i telefonen. Når du er ferdig, sett bakdekselet tilbake på plass som vist i illustrasjonene nedenfor.

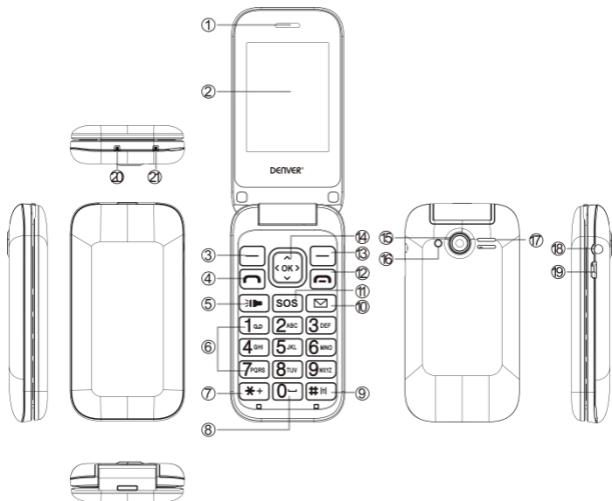


NOR-4

**Lade batteriet:** lade batteriet før du begynner å bruke enheten. Koble laderen til en strømuttak, og deretter koble kontakten til ladestasjonen (vent et øyeblikk før et lydsignal varsler lade start) eller sett den direkte inn i mikro-USB-porten på høyre side av telefonen. Når ladingen er fullført/er ferdig, et annet lydsignal vil bli hørt

***Oppmerksomhet:*** For å bevare funksjonaliteten i produktet og integriteten til garantien, anbefaler vi bruk av **originale ladere**. Lad batteriet innendørs, i et tørt og gunstig miljø. Det er normalt at batteriet blir litt varmt under ladingen. Batteriet vil nå full kapasitet først etter flere komplette ladesykluser.

## Beskrivelse av telefonen



1	Mottaker
2	LCD skjerm
3	Venstre myk nøkkel
4	Ringe tast
5	Lykt på/av-knapp
6	Nummer tast
7	* tast:Standby-modus: Hold inne for å låse tastaturet. Klikk for å skrive inn *, + P,W. Redigeringsmodus: Trykk for å bruke normale symboler.
8	0 tast: trykk for å legge til mellomrom mellom ord i tekstredigeringsmodus;
9	# tast:Standby-modus: Hold inne for å sette telefonen i stillemodus, klikk for å skrive inn #.Redigeringsmodus: Trykk for å endre skrivemetode.
10	Meldingsknapp
11	SOS-knapp
12	Avslutt og strømpå/av-tasten
13	Høyre myk tast
14	Navigasjon $\wedge, \vee, <, >$ ,OK
15	Kameralinse
16	Lommelykt
17	Høytaler
18	3,5 mm hodetelefonplugg

19	Micro USB-inngang
20	Ladestasjon
21	Ladestasjon

**FM radio:** BAS-24200M har en intern radioantenne slik at hodesettet er ikke nødvendig for å lytte til radioen. Velg **FM-Radio** fra hovedmenyen for å slå radioen PÅ eller AV. Ved å velge **Alternativer** har du tilgang til følgende funksjoner:

- **Kanalliste** : å bla gjennom lagrede kanaler manuelt
- **Automatisk søk**: å automatisk søke etter radiostasjoner
- **Manuelt søk**: for manuell søk av radiokanaler
- **Høytaler**: gjengir radio med høytaler i stedet for hodetelefoner
- **Bakgrunn**: fortsetter å spille i bakgrunnen, selv etter at du forlater radio app-skjermen

Bruk \* og # valgtastene for volum, OPP og NED for å søke på stasjoner.

**Lommelykt**: trykk på lykt-knappen på tastene for å slå lykten på eller av.

**Snarveier** bruk OPP-tasten for å åpne lydspilleren; bruk NED-tasten for å gå inn på "Innstillinger"; bruk VENSTRE-tasten

for å gå inn på profilinnstillinger; bruk HØYRE-tasten for å gå inn på alarmen.

**Hovedmeny:** For å få tilgang til **hovedmenyen** på telefonen, trykker du på valgtasten øverst til venstre

- **Melder:** å skrive og lese SMS-meldinger
- **Kontakter:** å administrere og lagre kontakter
- **Samtaler Logg:** Tapte anrop, oppringte samtaler ...
- **Multimedia:** Kamera, radio, galleri...
- **FM radio:** Å slå radioen på og av
- **SOS:** å aktivere og tilpasse SOS funksjonen
- **Verktøy:** med kalender, Bluetooth, kalkulator, alarmer...
- **Innstillinger:** tilpasse telefonen

**Svar på et innkommende anrop:** Når du mottar et anrop, varsler telefonen med vibrasjon eller ringetone, avhengig av telefonens innstillinger. Navnet (hvis kontakten er lagret) og telefonnummeret til den som ringer vises på skjermen. Besvar anrop ved å trykke på ringeknappen.

**Ringe:** for å ringe fra startskjermen, velger du ønsket nummer ved hjelp av tastaturet, og trykk deretter på den grønne ringetasten . For å avslutte samtalen, trykk på den røde avslutt-tasten.

**Ring et nummer fra kontaktene:** fra hovedskjermen , trykk på øvre høyre valgtast ; dette vil automatisk åpne Kontakter. Bla gjennom kontakter med OPP/NED tastene og trykk på den grønne ringeknappen for å ringe ønsket kontakt.

**Ring et nummer fra anropsloggen:** trykk på den grønne ringetasten fra hovedskjermen, og **ubesvarte, mottatte og utgående** anrop vises automatisk.

Bla med OPP/Ned-tastene og trykk på den grønne ringeknappen når du finner nummeret du vil ringe.

**Under en samtale:** Følgende funksjoner kan brukes mens du snakker i telefonen:

**Håndfri:** Skru håndfri av/på.

**Hold:** Den aktive samtalen settes på pause, og det går an å svare på et annet anrop.

**Avslutt én samtale:** Trykk for å avslutte den aktive samtalen.

**Telefonbok:** Det er mulig å søke etter telefonnumre mens du er i en samtale.

**Meldinger:** Åpne meldingsskjermen.

**Anropslogg:** Det er mulig å vise anropsloggen.

**Demp:** Mikrofonen skrur av og samtalepartneren kan ikke høre stemmen din.



**Lyddopptaker:** Det er mulig å ta opp samtalen.

**Volum:**Skru av eller justere volumet til høyttaleren eller hodesettet.

**Legge til kontakter i Kontakter:** Telefonboken tillater lagring av nummere på SIM-kortet eller i telefonens minne.

Alternativmenyene vises slik:

**Anrop:** Ring det valgte nummeret.

**Ny kontakt:** Opprett en ny kontakt.

**Vis:** Viser mer informasjon om de valgte kontaktene.

**Endre:** Lar deg redigere kontaktinformasjonen.

**Send SMS:** Sender SMS til det valgte nummeret.

**Slett:** Sletter den valgte oppføringen.

**Kopier:** Lar deg kopiere kontakter fra telefonminnet til SIM-kortet eller omvendt.

**Flytt:** Lar deg flytte kontakter fra telefonminnet til SIM-kortet eller omvendt.

**Legg til svarteliste:** Lar deg legge til en kontakt på svartelisten.

**Merk flere:** Lar deg utføre handlinger på flere kontakter samtidig.

**Telefonbok-innstillinger:** Oppretting og redigering av

hurtigtast-kontakter på nummertast 2~9, telefonminnestatus og kopiere/flytte/slette alle kontaktene i telefonboken.

**Hurtigoppringing:** i *Meny > Telefonbok > Valg > Innstillinger > Kortnummer*>, kan du tildele tastene 2-9 bestemte numre som ringes opp automatisk hvis du trykker og holder den tilhørende tasten.

**Minnestatus:** denne funksjonen i kontakter innstillingene lar deg se hvor mye ledig lagringsplass det er på telefonen og SIM-kortet.

## **Sende og lese SMS**

**Send SMS:** fra hovedskjermbildet velger du *Meny > Melder > Skriv melding*, og skriv meldingen. Trykk på *Alternativer > Send til > Nummer*, og angi nummeret ved hjelp av talltastaturet eller **Legg til fra kontakter** for å velge fra Kontakter den kontakten du vil sende en tekstmelding.

**Les SMS:** når du mottar en ny tekstmelding, viser telefonen et konvolutt ikon på den øverste linjen (til meldingen blir lest/så lenge meldingen er ulest) og en varsel pop up vises på hovedskjermen . Trykk på øvre venstre valgtast for å gå inn i **Innboks** eller få tilgang fra hovedskjermen ved å velge *Meny > Melder > Innboks*.

**Bluetooth:** I *Innstillinger > Bluetooth > Slå på* kan du slå på Bluetooth og søke etter andre enheter (hodetelefoner, mobiltelefoner ...). Velg enheten du ønsker å knytte til og bekreft det på begge enhetene.

**S.O.S. Funksjon: BAS-24200M** er utstyrt med en dedikert knapp for rask viderekobling av nødanrop (\*). Denne funksjonen kan slås av og på ved å velge **Meny > Førstehjelpsinnstillinger > Status**. SOS-knappen er plassert på baksiden av telefonen. I nødstilfeller, bruk denne funksjonen for å be om hjelp fra opptil fem telefonnumre, tidligere satt i **Meny > Førstehjelpsinnstillinger > Førstehjelpsliste**; trykk og hold på SOS-knappen i 2-3 sekunder. Så snart SOS-funksjonen er aktivert vil telefonen sende ut et høyt volum varsel (som kan slås av og på i **Førstehjelpsinnstillinger > Førstehjelp spill av alarmen**). Deretter vil den sende en tilpasset SOS melding til de valgte SOS numrene. Deretter vil telefonen ringe de 5 nødnumrene, i ca 25 sekunder hver. Hvis det ikke er svar, syklusen av samtaler gjenta seg. Denne prosedyren vil bli gjentatt 5 ganger. Hvis et av numrene besvares, vil syklusen bli avbrutt og samtalen vil automatisk gå over til høyttaler (handsfree).

**Oppmerksomhet: S.O.S. oppringingssyklusen vil bli avbrutt hvis telefonsvareren eller mobilsvar til et av de oppringte**

*nødnumrene svarer.*

**Sett ringetone:** velg **Meny > Innstillinger > Profiler > Generelt > Tilpass > Ringetone**. Velg **Ringetone** og velg ønsket tone fra de som er tilgjengelige. Raskt slå på/av vibrasjon modus. Hvis du raskt vil slå av innkommende samtaler ringetone og meldinger tone, og aktivere vibrasjon, holder du inne **#**. Ved å trykke **#** på nytt, vil telefonen gå inn i **Generell modus**.

**Telefon innstillinger:** fra **Meny > Innstillinger > Telefoninnstillinger**, har du/vil du ha tilgang til ulike innstillinger, for eksempel Dato og Klokkeslett, Språk og Skjerm. Velg **Gjenoppsett** for å **Tilbakestill innstillinger** for BAS-24200M: taste inn telefonpassordet **1234** for å bekrefte gjenoppsettning.

## **Radiofrekvens (RF) eksponering og SAR. DENNE ENHETEN ETTERKOMMER ALLE INTERNASJONALE RETNINGSLINJER FOR EKSPONERING FOR RADIOBØLGER**

Den mobile enheten din er en radiomottaker og -sender. Den er utformet og produsert til ikke å overgå grensene for eksponering for radiofrekvenser (RF) som er anbefalt av internasjonale retningslinjer (ICNIRP). Disse begrensningene er en del av omfattende retningslinjer og etablerte tillatte nivåer for RF-energi for den vanlige befolkningen. Retningslinjene ble utviklet av

uavhengige vitenskapelige organisasjoner gjennom periodisk og grundig vurdering av vitenskapelige studier. Retningslinjene inkluderer en vesentlig sikkerhetsmargin for å oppnå sikkerhet for alle, uavhengig av alder og helse.

Eksponeeringsstandarder for mobile enheter bruker en måleenhet kjent som Specific Absorption Rate, eller SAR. SAR-grensen oppgitt i de internasjonale retningslinjene er 2,0 Watt/kilo (W/kg)\*. SAR-tester er gjennomført ved standard bruksposisjoner, ved enhetens sending på høyeste sertifiserte verdier godt under maksimalverdien. Dette er fordi enheten er utformet for å bli brukt på flere strømnivåer slik at den kun bruker den strømmen som er nødvendig for å nå nettverket. Generelt, jo nærmere du er basestasjonen, jo lavere strømuttak har enheten. Strømnivå på alle testede frekvensbånd.

Selv om SAR er fastsatt ved det høyeste sertifiserte strømnivået, er det faktiske SAR-nivået til enheten mens den er i bruk godt under maksimal grense. Dette er fordi enheten er utformet for å bli brukt på flere strømnivåer slik at den kun bruker den strømmen som er nødvendig for å nå nettverket. Generelt, jo nærmere du er basestasjonen, jo lavere strømuttak har enheten.

SAR-verdier kan variere avhengig av nasjonal rapportering og testkrav og nettverkbåndet. Bruk av tilbehør og forsterkere kan føre til endringer i SAR-verdier.

SAR-grensen for mobile enheter brukt av allmennheten er

2,0 W/kg gjennomsnittlig over ti gram med kroppsvev. Retningslinjene inkluderer en vesentlig sikkerhetsmargin for å gi ekstra beskyttelse for offentligheten og for å ta høyde for variabler i målinger. SAR-verdier vil variere avhengig av nasjonal rapportering og testkrav og nettverkbåndet.

Den høyeste SAR-verdien for denne modellen testet for bruk er 1.16mW/g

### **Advarsel**

- Inneholder et litium-batteri!
- Produktet må ikke åpnes!
- Utsett ikke produktet for varme, vann, fukt eller direkte sollys!



**FORSIKTIG!**

Vær oppmerksom på at vi kan gjøre endringer på alle våre produkter uten forvarsel. Vi tar ikke ansvar for eventuelle feil og mangler i denne manualen.

**MED ENERETT, OPPHAVSRETT  
DENVER ELECTRONICS A/S**

**DENVER®**

[www.denver-electronics.com](http://www.denver-electronics.com)

**CE**



Elektrisk og elektronisk utstyr og batterier inneholder materialer, komponenter og stoffer som kan være farlige for helsen og miljøet hvis avfallet (kasserte elektriske og elektroniske produkter og batterier) ikke håndteres riktig.

Elektrisk og elektronisk utstyr og batterier er merket med en søppelbøtte med kryss over, se nedenfor. Dette symbolet betyr at elektrisk og elektronisk utstyr og batterier ikke må kastes

sammen med annet husholdningsavfall, men skal avhendes separat.

Som sluttbruker er det viktig at du sender inn dine brukte batterier til korrekt avfallsordning. På denne måten sikrer du at batteriene blir resirkulert i henhold til lovverket, og ikke skader miljøet.

Alle byer har egne systemer for avfallshåndtering. Elektrisk og elektronisk utstyr og batterier kan enten leveres inn gratis til gjenvinningsstasjoner og andre innsamlingssteder eller bli hentet direkte fra husholdningene. Du kan få mer informasjon fra de lokale myndighetene i byen din.

Herved erklærer Inter Sales A/S at radioutstyrstypen **BAS-24200M** er i overensstemmelse med direktiv 2014/53/EU. EU-overensstemmelseserklæringens fulle tekst kan man finne på følgende internettadresse: Tast inn: [www.denver-electronics.com](http://www.denver-electronics.com) og klikk på søkeikonet øverst på nettsiden. Angi modellnummer: **BAS-24200M**  
Deretter går du til produksiden, du finner direktivet under [downloads/other downloads](#)



## DENVER ELECTRONICS A/S

Omega 5A, Soeften  
DK-8382 Hinnerup  
Danmark

[www.facebook.com/denverelectronics](http://www.facebook.com/denverelectronics)

### Operativt frekvensområde:

E-GSM900: 880,2–914,8 MHz (TX), 925,2–959,8 MHz (RX);  
DCS1800: 1710,2–1784,8 MHz (TX), 1805,2–1879,8 MHz (RX);  
Bluetooth: 2402 ~ 2480 MHz (TX/RX);  
FM: 87.5 - 108 MHz (Rx)

Maks. utgangseffekt:

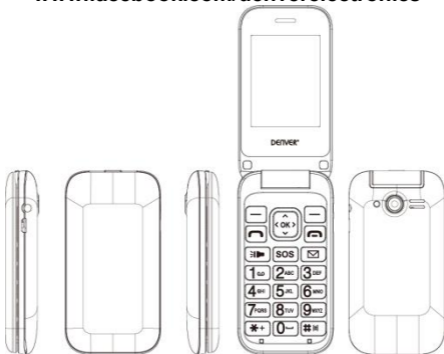
Maks. 2W/ Maks.1W

Bluetooth: 3.14dBm EIRP

# DENVER<sup>®</sup>

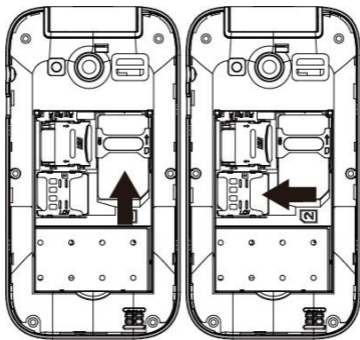
## Seniortelefon BAS-24200M

[www.facebook.com/denverelectronics](http://www.facebook.com/denverelectronics)

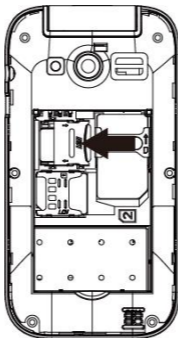


**Användarhandbok  
Swedish**

**Sätt i SIM-kortet:** SIM-kortet innehåller ditt telefonnummer, PIN-kod och länkar till telefontjänster, kontakter och SMS-meddelanden. För att komma åt luckan som innehåller SIM-facket, stäng av telefonen och lyft locket med början från skåran på det nedre högra hörnet. Ta bort batteriet. Sätt i SIM-kortet i kortplatsen med guldkontakterna pekande nedåt.



**Sätt i ett minneskort:** För att använda mediespelarfunktionerna krävs ett micro-SD-minneskort (medföljer ej i förpackningen). Kortet måste placeras i SIM1-kortplatsen i telefonens vänstra insida baktill. Mata in micro-SD-kortet så som visas nedan, med de guldfärgade kontakterna vända nedåt. Öppna metallluckan genom att trycka den mot "öppna" och lås den igen efter att ta satt i kortet genom att trycka det i motsatt riktning ("låsa").

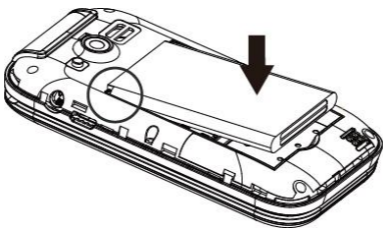
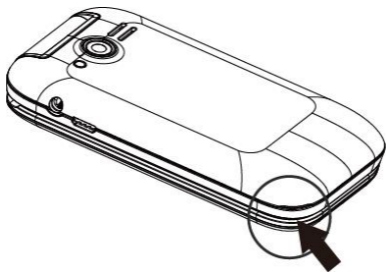


**Slå PÅ , AV och lås för knappsats:** För att slå på och av telefonen, tryck och håll ned den röda knappen för att avsluta samtal.

**Lås och lås upp knappsats:** Tryck på vänster funktionstangent och \* för att låsa/låsa upp telefonen.

**Ansluta till en dator:** Använd USB-kabeln för att ansluta BAS-24200M till en dator. Välj **U-disk** på telefonen. Du kan spara låtar och spela med musikspelaren i mappen "**Min musik**", på SD-kortet.

**Insättning Av Batterierna:** Enheten är försedd med ett litium-jon batteri och är avsedd endast att användas med original batterier och laddare. Batteriet måste sättas i den bakre delen av telefonen. Sätt i batteriet i batterifacket med kontakterna pekande uppåt som motsvarar de i telefonen. När detta är gjort, sätt tillbaka den bakre luckan i positionen som visas i de följande bilder.

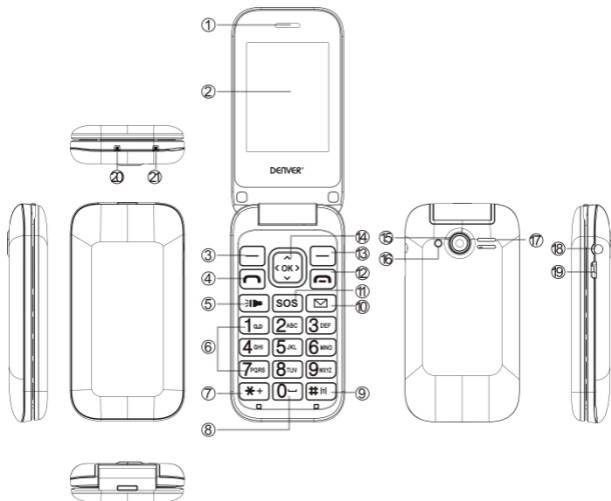


SWE-4

**Ladda batteriet:** Ladda batteriet innan du slår på enheten. Anslut laddaren till ett vägguttag, och anslut sedan uttaget till laddningsbasen (vänta en stund tills ett ljud vid återkoppling meddelar att laddningen har påbörjats) eller lägg den direkt in i micro-USB-porten på höger sidan av telefonen. När laddningen är klar, hörs ännu ett ljud vid återkoppling

**Obs!** Om du vill bevara funktionaliteten i produkten och garantins integritet, rekommenderar vi att du använder **originalladdare**. Ladda batteriet inomhus i en torr och gynnsam miljö. Det är normalt att batteriet blir något varmt under laddningen. Batteriet kommer att nå full kapacitet endast efter flera kompletta laddningscykler.

# Telefonbeskrivning





1	Mottagare
2	LCD-skärm
3	Vänster programmerbar knapp
4	Samtals knapp
5	På/av-knappen för ficklampa
6	Siffer knapp
7	* knapp: Standby-läge: Kort tryckning för att mata in *,+,P,W.Redigeringsl äge: Tryck för att använda normal symbol.
8	0 knapp: i textredigering, tryck för att lägga till mellanslag mellan orden;
9	# knapp: Vänteläge: Långt tryck för att ställa in telefonen på tyst läge, kort tryck för att skriva in #. Redigeringsl äge: Tryck för att byta skrivmetod
10	Knappen meddelande
11	SOS-knapp
12	Knapp för avsluta samtal och ström på/av
13	Höger programmerbar knapp
14	Navigering $\wedge, \vee, <, >$ , OK
15	Kameralins
16	Ficklampa
17	Högtalare
18	3,5 mm hörlursuttag
19	Micro USB-port (ingång)

20	Laddningsdocka
21	Laddningsdocka

**FM-radio:** BAS-24200M har en intern radioantenn och några hörlurar behövs inte för att lyssna på radio. För att slå på/av radion, få åtkomst till **FM-radio** från huvudmenyn. Genom att välja **Alternativ** har du åtkomst till följande funktioner:

- **Kanallista:** När du vill manuellt bläddra efter sparade kanaler
- **Automatisk sök och spara:** När du vill automatiskt söka efter radiostationer och spara.
- **Kanallista:** När du vill manuellt bläddra efter sparade kanaler
- **Manuell sökning:** För manuell sökning av radiokanaler
- **Öppna högtalare:** Återger radio med högtalare i stället för hörlurar
- **Bakgrundsspelning:** Fortsätter spela i bakgrunden, även efter att man lämnat skärmen för radio appen

Använd väljarknapparna \* och # för volym, UPP och NED för att söka efter stationer.

**Ficklampa:** för att slå på eller av ficklampan, tryck på knappen Ficklampa på knappsatsen.

**Genvägar** UPP-knappen för att direkt öppna ljudspelaren; DOWN (NED) -knappen för åtkomst till "Inställningsalternativ"; LEFT (VÄNSTER)-knappen för åtkomst till inställningen profiler; RIGHT(HÖGER)-knappen för åtkomst till alarm.

**Huvudmeny:**När du vill komma åt **Huvudmeny** på telefonen, tryck på vänstra programknappen längst upp till vänster.

- **Meddelande:** När du vill skriva och läsa SMS-meddelanden
- **Kontakter:** Att hantera och spara kontakter
- **Samtalsloggar:** Missade samtal, uppringda samtal...
- **SOS:** När du vill aktivera och anpassa funktionen SOS
- **Multimedia:** Kamera, radio, galleri...
- **FM-radio:** Slå på och av radion
- **Verktyg:** med kalender, kalkylator, larm...
- **Inställningar:** Anpassa din telefon

**Besvara ett inkommande samtal:** Vid inkommande samtal meddelar telefonen dig genom vibration, med signal enligt dina profilinställningar. Namnet (om kontakten sparas) och telefonnummer till den inringande visas på skärmen.

Besvara ett samtal genom att trycka på samtalsknappen.

**Ringa ett samtal:** När vill ringa ett samtal från startsidan, välj önskat nummer med knappsetsen och tryck sedan på den gröna samtalsknappen. Om du vill avsluta samtalet tryck på röda samtalsknappen.

**Ringa ett nummer från kontakter:** Från startsidan, tryck på övre väljarknappen till höger; detta kommer att automatiskt öppna kontakterna. Bläddra genom kontakterna med UPP/NED-knapparna och tryck på den gröna samtalsknappen för att ringa en kontakt.

**Ringa ett nummer från samtalslistan:** Från startsidan, tryck på den gröna samtalsknappen, och **missade, mottagna, och utgående samtal** visas automatiskt.

Bläddra med UPP/NED-knapparna och tryck på den gröna samtalsknappen, när du hittar numret du vill ringa upp.

**Under ett telefonsamtal:** När du är upptagen i telefonen

kanföljande funktioner användas:

**H-Free:** Slå på/av hands-free-alternativet.

**Håll:** Det aktuella samtalet är i parkerat läge och det går att besvara ett inkommande samtal.

**Avsluta ett samtal:** Tryck för att avsluta det aktuella samtalet.

**Telefonbok:** Det går att söka telefonnummer under ett telefonsamtal.

**Meddelande:** Öppna meddelandeskärmen.

**Samtalshistorik:** Den gör det möjligt för dig att visa samtalslistan.

**Tyst:** Mikrofonen stängs av och den som talar hör inte din röst.

**Ljudinspelaren:** Det går att spela in samtalet.

**Volym:** Justera volymen på högtalaren eller headsetet.

**Lägga till kontakter i listan med kontakter:** Telefonboken gör det möjligt att spara numren på SIM-kortet eller i telefonens minne.

Alternativmenyerna visas enligt nedan:

**Samtal:** Slå det aktuella numret.

**Ny kontakt:** Skapa en ny kontakt.

**Visa:** Tillåt visning av detaljer för valda kontakter.

**Redigera:** Tillåt redigering av kontaktinformation.

**Skicka SMS:** Skicka SMS till det valda numret.

**Radera:** Radera vald inmatning.

**Kopiera:** Detta möjliggör kopiering av kontakter från telefonens minne till SIM-kortet och vice versa.

**Flytta:** Detta gör det möjligt att flytta kontakter från telefonens minne till SIM-kortet och vice versa.

**Lägg till på svart lista:** Detta gör det möjligt att lägga till en kontakt till den svarta listan.

**Markera flera:** Detta gör det möjligt att fortsätta med åtgärderna för flera kontakter samtidigt.

**Telefonboksinställningar:** Införande och redigering av snabbuppringnings kontakter med 2~9 sifferknappar, telefonboksminnesstatus och kopiering/förflyttning/radering av alla kontakter i telefonboken.

**Snabbuppringning:** I **Meny > Telefonbok > Alternativ > Inställningar > Snabbuppringning**, kan du tilldela knapparna 2-9 med vissa nummer som kommer att ringas upp automatiskt, om du trycker och håller den associerade knappen.

**Minnesstatus:** Denna funktion inom inställningar för kontakter gör det möjligt för dig att se hur mycket ledigt utrymme du har i telefonen och SIM-kortet.

## Skicka och läsa SMS

**Skicka SMS:** Från startsidan, välj **Meny > Skicka meddelande > Skriva meddelande** och skriv ditt meddelande.

Tryck på **Alternativ > Skicka till > Knappa in nummer** och numret med hjälp av den numeriska knappsatsen eller **Ange kontakter** för att markera kontakter och välj den kontakt du vill texta till.

**Läsa SMS:** När du får ett nytt textmeddelande, visar telefonen en ikon i form av ett kuvert i det översta fältet (tills meddelandet läses/så länge meddelandet är oläst) och ett popup-meddelande visas på startsidan. Tryck på den övre vänstra väljarknapp för att ange **Inkorg** eller komma åt den från startsidan genom att välja **Meny > Skicka meddelande > Inkorg**.

**Bluetooth:** I **Inställningar > Bluetooth > öppna Bluetooth** kan du slå på Bluetooth och söka efter andra enheter (hörlurar, telefoner...). Välj den enhet som du vill länka till med och bekräfta det på båda enheterna.

S. **O.S. Funktion: BAS-24200M** är utrustad med en dedicerad knapp för snabbt vidarebefordrade nödsamtal (\*). SOS-knappen finns på baksidan av telefonen. Vid nödsituationer använd denna funktion för att be om hjälp med upp till fem telefonnummer, som förinställts i **Meny > Första hjälpen inställningar > Första hjälpen lista**; tryck och håll SOS-knappen i 2-3 sekunder. Så snart SOS numret är förinställt, skickar telefonen ut ett larm med hög volym (som kan slås på och av i **Första hjälpen inställningar > Första hjälpen spelar**

**upp larm**). Sedan skickas ett anpassat SOS-meddelande till det valda SOS-numret. Strax därpå ringer telefonen upp de 5 SOS-numren i ungefär 25 sekunder för vart och ett. Om inget svar fås, upprepas cykeln med uppringda samtal. Denna procedur upprepas 3 gånger. Om en av de uppringda numren svarar, avbryts cykeln och samtalet kopplas automatiskt till högtalartelefonen (handsfree).

**Obs! Cykeln för S.O.S. -samtal avbryts om telefonsvararen eller röstbrevlådan för en av de uppringda SOS-numren tar samtalet.**

**Ställa in ringsignaler:** Välj **Meny > Inställningar > Användarprofiler > Allmän > Anpassa > Rington**. Välj **fasta ringsignaler** och ange önskad signal från de tillgängliga.

**Slå snabbt på tyst:** När du vill snabbt stänga av ringsignalen för inkommande samtal och signal för meddelanden, och aktivera vibration, tryck och håll **#**, och telefonen går in i **Tyst läge**.

**Telefoninställningar:** Från **Meny > Inställningar > Telefoninställningar**, kommer du att ha tillgång till olika inställningar såsom datum och tid, språk, inställningar för genvägar, automatisk ström på/av. Välj **Återställ** för att återställa fabriksinställningar för BAS-24200M: ange telefonens lösenord 1234 för att bekräfta återställande.



## **Radio frekvens (RF) exponering och SAR ENHETEN UPPFYLLER INTERNATIONELLA KRAV FÖR EXPONERING AV RADIOVÅGOR**

Din mobila enhet är en radiosändare och en mottagare. Den har utformats och tillverkats för att inte överstiga gränsvärdena för exponering av radiofrekvens (RF) som rekommenderas av internationella riktlinjer (ICNIRP). Dessa gränser utgör en del av omfattande riktlinjer och fastställer tillåtna nivåer av radiofrekvent energi för allmänheten. Riktlinjerna har utvecklats av oberoende vetenskapliga organisationer genom regelbundna och omfattande utvärderingar av vetenskapliga studier. Riktlinjerna innefattar en betydande säkerhetsmarginal för att garantera säkerheten för alla personer, oavsett ålder och hälsa.

Exponeringen för mobila enheter använder en måttenhet som kallas Specific Absorption Rate, eller SAR. Gränsvärdet för SAR enligt de internationella riktlinjerna är 2,0 watt/kilogram (W/kg) \*. SAR mäts igenom att använda standardlägen där enheten sänder med högsta certifierade effekten långt under det maximala värdet. Detta beror på att enheten har utvecklats för att arbeta på olika effektnivåer för att inte använda högre effekt än nödvändigt för att nå nätverket. I allmänhet, ju närmare du befinner dig en basstation, desto lägre blir den utstrålade uteffekten från enheten. Effektnivå finns i alla testade frekvensband.

Även om SAR har bestämts vid den högsta certifierade effekten, kan enhetens verkliga SAR medan den används ligga långt under det maximala värdet. Detta beror på att enheten har utvecklats för att arbeta på olika effektnivåer för att inte använda högre effekt än nödvändigt för att nå nätverket. I allmänhet, blir den utstrålade

effekten från enheten lägre ju närmare du befinner dig en basstation.

SAR-värdena kan variera beroende på olika länders rapporterings-och testningskrav samt nätverksbandet. Användning av tillbehör och förbättringar kan ge olika SAR-värden.

\* SAR-värdena för mobila enheter som används av allmänheten är 2,0 W/kg i genomsnitt över 10 gram kroppsvävnad.

Riktlinjerna innehåller en betydande säkerhetsmarginal för att ge extra skydd för allmänheten och för att ta hänsyn till variationer i mätningarna. SAR-värdena kan variera beroende på nationella rapporteringskrav och nätverksband.

Det högsta SAR-värdet för denna telefonmodell testad för användning är 1.16 mW/g

## Varning

- Lithiumbatteri invändigt!
- Försök inte öppna produkten!
- Utsätt inte enheten för hög temperatur, vatten, fukt och direkt solljus!



**VAR FÖRSIKTIG!**

Observera - Alla produkter är föremål för ändringar utan föregående meddelande. Vi reserverar oss för fel och utelämnanden i handboken.

## **MED ENSAMRÄTT, UPPHOVSRÄTT DENVER ELECTRONICS A/S**

DENVER®

[www.denver-electronics.com](http://www.denver-electronics.com)

CE



Elektrisk och elektronisk utrustning och tillhörande batterier innehåller material, komponenter och ämnen som kan vara skadliga för hälsan och miljön om avfallet (kasserad elektrisk och elektronisk utrustning och batterier) inte hanteras korrekt.

Elektrisk och elektronisk utrustning och batterier är märkta med

en symbol i form av en överstruken soptunna (syns nedan). Denna symbol visar att elektrisk och elektronisk utrustning och batterier inte bör slängas tillsammans med annat hushållsavfall, utan ska istället slängas separat.

Som slutanvändare är det viktigt att du lämnar in dina använda batterier i en för ändamålet avsedd facilitet. På det viset säkerställer du att batterierna återvinns lagenligt och att de inte skadar miljön.

Alla kommuner har etablerat uppsamlingsställen där elektrisk och elektronisk utrustning och batterier antingen kan lämnas in kostnadsfritt i återvinningsstationer eller hämtas från hushållen. Vidare information finns att tillgå hos din kommuns tekniska förvaltning.

Härmed försäkrar Inter Sales A/S att denna typ av radioutrustning **BAS-24200M** överensstämmer med direktiv 2014/53/EU. Den fullständiga texten till EU-försäkran om överensstämmelse finns på följande webbadress: Ange: [www.denver-electronics.com](http://www.denver-electronics.com) och klicka sedan på IKONEN längst upp på webbsidan. Ange modellnumret: **BAS-24200M** Ange nu produktsida, och direktivet finns under hämtningar/övriga hämtningar

DENVER ELECTRONICS A/S

Omega 5A, Soeften

DK-8382 Hinnerup

Danmark

[www.facebook.com/denverelectronics](http://www.facebook.com/denverelectronics)

Driftsfrekvensområde:

E-GSM900: 880.2-914.8 MHz (TX), 925.2-959.8 MHz (RX);

DCS1800: 1710.2-1784.8 MHz (TX), 1805.2-1879.8 MHz (RX);

Bluetooth: 2402 ~ 2480 MHz (TX/RX);

FM: 87.5 - 108 MHz (Rx)

Maximal utgående ström:

Maximal 2W/ Maximal 1W

Bluetooth: 3.14 dBm EIRP